

# abode

## Operating Manual

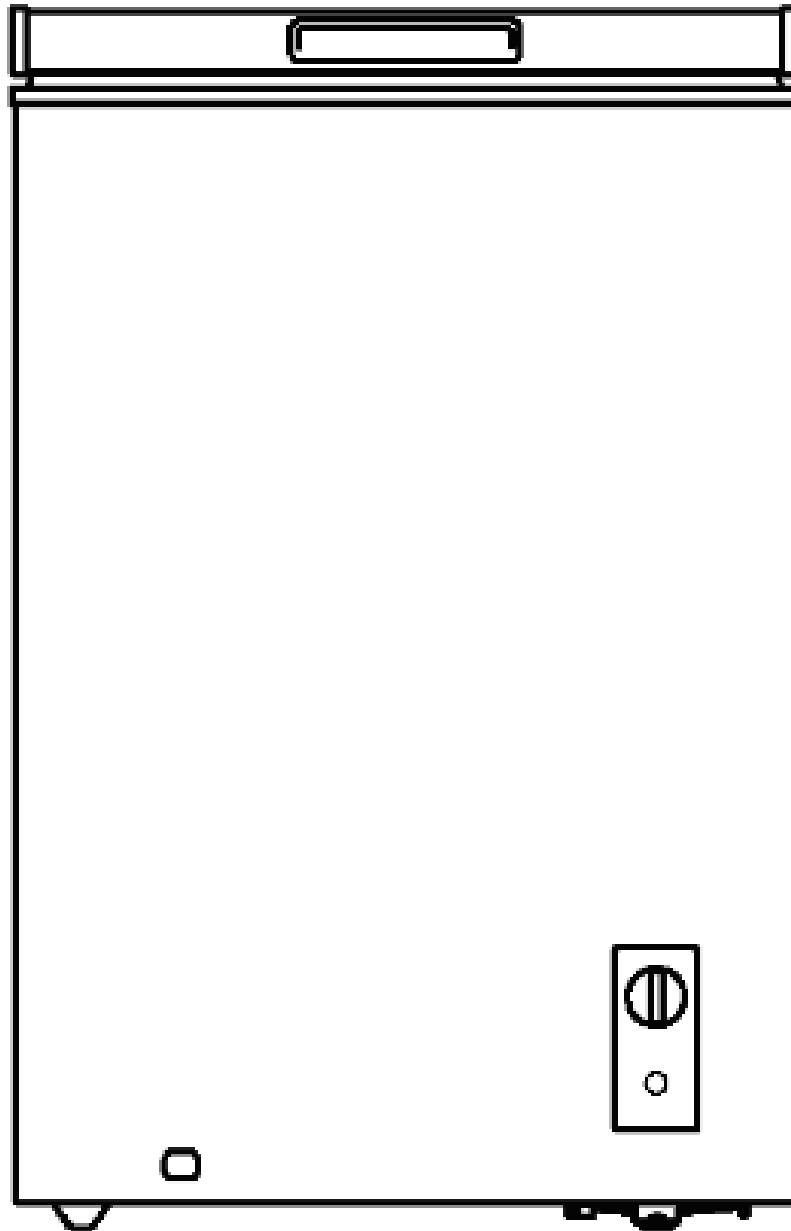
# CHEST FREEZERS

A99CF0E1

A142CF0E1

A198CF0E1

## CHEST FREEZER



## GUARANTEE

At Abode, we take all our customer feedback seriously.

Feel free to contact our Product Care Team, on **0345 208 8750** who will be more than happy to assist you.

This product is guaranteed for 12 months from the date of the original purchase. If any defect arises due to faulty materials or workmanship, the faulty product must be returned to the place of purchase.

Refund or replacement is at the discretion of the retailer.

The following conditions apply:

- The product must be returned to the retailer with the original proof of purchase.
- The product must be installed and used in accordance with the instructions contained in this instruction guide and any other instructions for use which are supplied.
- It must be used for domestic purposes only and for its intended use.
- This guarantee does not cover wear and tear, damage, misuse or consumable parts.
- This does not affect your statutory rights.

### ABODE CONTACT DETAILS

**Website:** abodeproducts.com

**Telephone:** 0345 208 8750

**Address:** Product Care Customer Service, Green Bank Business Park, Hindley Green, Wigan, WN2 4AY

Note your serial number below for future reference.



*Image for illustration purposes only*

# CONTENTS

<b>Page</b>	<b>Section</b>
2	Guarantee
4	Safety Instructions
6	Electrical Safety
7	Food Safety
8	Installation Guidance
9	Installation – Levelling the Feet
10	First Time Use
11	Usage Instructions
12	Defrosting
13	Problem Solving
15	Technical Specification – A99CF0E1
16	Technical Specification – A142CF0E1
17	Technical Specification – A198CF0E1
18	Notes

## IMPORTANT SAFETY INSTRUCTIONS

- This model uses natural refrigerant gas as part of its cooling system. This gas is known as R600a (Isobutene) and is environmentally friendly but can be combustible. Care should therefore be taken when handling or transporting the product to ensure that none of the refrigeration circuit components are damaged.
- It is hazardous for anyone other than a competent person to carry out any service or repair operation that involves the removal of a cover which gives protection against exposure to electrical parts.
- If the supply cord is damaged, it must be replaced by the manufacturer, its service agent or similarly qualified persons in order to avoid a hazard. DO NOT use with damaged cord or plug.
- **DO NOT** use with an extension cable.
- This product is intended for household use only. DO NOT use outdoors.
- This appliance can be used by children aged from 8 years and above and persons with reduced physical, sensory or mental capabilities or lack of experience and knowledge if they have been given supervision or instruction concerning use of the appliance in a safe way and understand the hazards involved. Children should not play with the appliance. Cleaning and user maintenance should not be made by children without supervision.
- **DO NOT** install on carpet or any surface that would prevent adequate ventilation of the appliance.

## IMPORTANT SAFETY INSTRUCTIONS

- Use only parts and accessories supplied with the appliance, or sourced directly from the manufacturer. The use of accessory attachments not recommended by the manufacturer may cause fire, electric shock or injury.
- Keep the appliance and plug away from water.
- Do not use mechanical devices or other artificial means to accelerate the defrosting process, such as a heater or a hair dryer.
- **DO NOT** use appliance if it has been dropped, damaged, left outdoors or dropped into water. Do not operate this appliance for anything other than its intended use.
- If unit is wet, do not plug unit into wall socket or turn unit on. Do not immerse in water or other liquids for cleaning.
- **DO NOT** handle the appliance with wet hands.
- **DO NOT** pull by the cord, close door on cord, pull cord around sharp corners or edges, or expose cord to heated surfaces.
- If this appliance is to replace an old appliance with a lock, the lock must be removed as a safety measure before storing it or disposing of it to prevent the entrapment of young children.
- Old refrigerators and freezers contain insulation gases and refrigerant, they must be disposed of properly. Contact your local authority or your dealer if you have any questions. Ensure that you do not damage the unit prior to being collected by the relevant waste disposal service.

## IMPORTANT SAFETY INSTRUCTIONS

- Only use the appliance when fully assembled.
- Never place your fingers or other objects into any part of the appliance other than to load and unload food. Be aware that loose clothing or hair may become trapped if improperly used.
- Bottles containing a high percentage of alcohol must be sealed well and placed vertically in the refrigerator.
- Do not cover the body or the top of the appliance
- Fix down the accessories in the appliance during transportation to prevent damage to them.
- Allow to stand for 4 hours prior to first powering on.

## ELECTRICAL SAFETY INSTRUCTIONS

- This appliance must be plugged into an earthed socket.
- Before switching on, ensure the voltage of your electricity supply is the same as that indicated on the rating plate. This product is designed to operate on AC220–240V; 50Hz. Connection to any other power source may damage the unit.
- This product may be fitted with a non-rewireable plug. If it is necessary to change the fuse in the plug, the fuse cover must be refitted. If the fuse cover becomes lost or damaged, the plug must not be used until a suitable replacement is obtained.
- Changing the plug should only be carried out by a qualified electrician. The plug removed must be disposed of safely, as insertion into a 13 Amp socket is likely to cause an electrical hazard.

## FOOD SAFETY INSTRUCTIONS

- Opening the door for long periods can cause a significant increase of the temperature in the compartments of the appliance.
- Regularly clean surfaces that come into contact with food, and accessible drainage systems.
- Store raw meat and fish in suitable containers in the appliance, so that it is not in contact with or drip onto other food.
- Two-star frozen-food compartments (if they are present in the appliance) are suitable for storing pre-frozen food, storing or making ice-cream and making ice cubes.
- One-, two- and three -star compartments (if they are presented in the appliance) are not suitable for the freezing of fresh food.
- If the appliance is left empty for long periods, switch off, defrost, clean, dry and leave the door open to prevent mould developing within the appliance.
- Ensure food is not stored for longer than recommended.

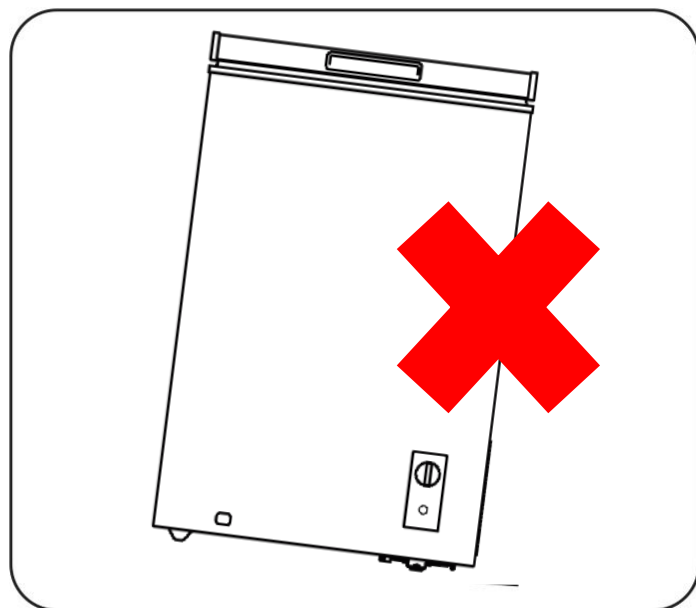
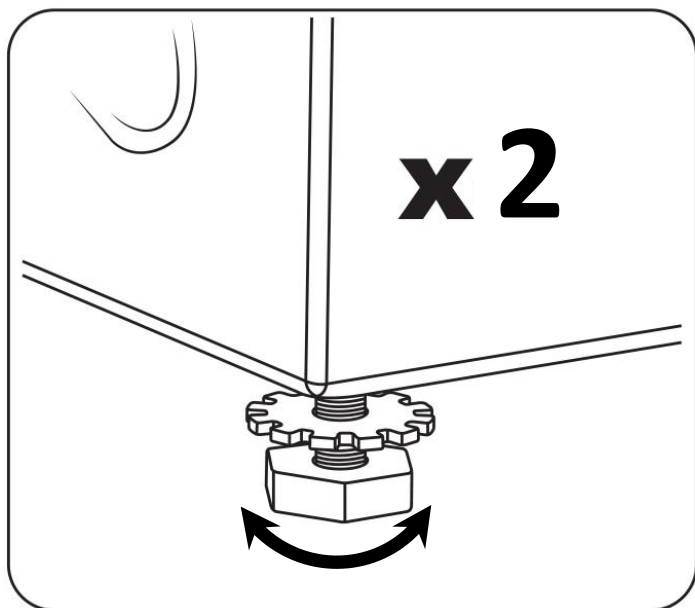
## INSTALLATION GUIDANCE

**CAUTION** This is heavy. Ensure a minimum of two people are used to move the appliance.

- Place your appliance in an area that is not exposed to direct sunlight.
- Your appliance should be placed at least 30cm away from stoves, ovens and other heating cores.
- When your appliance is placed next to a chest freezer or freezer, there should be at least 10cms between them to prevent humidity on the outer surface.
- Do not place anything on top of your appliance and install the unit in a suitable place so that there is at least 5cm clearance around the appliance.
- The rear of the appliance should be at least 6cm away from the back wall.
- The appliance must be used in the vertical position and on a flat surface.
- **DO NOT** place your appliance on a carpeted surface as this will prevent adequate ventilation.
- This appliance should only be placed on a flat, firm surface.
- Choose a dry and well-ventilated space.
- The appliance should be positioned so that the plug is easily accessible.
- Suitable for storage in a garage, outbuilding or shed (can operate in a ambient temperature up to -15°C).



## INSTALLATION – LEVELLING THE FEET



**WARNING** – we recommend a minimum of 2 people when moving or lifting the appliance.

**WARNING** – only level the appliance with the feet supplied. DO NOT use cardboard, wood or similar materials to level the appliance.

For optimal performance, your appliance must be levelled, which will prevent deterioration of performance, damage to the appliance, and reduce noise.

We recommend the use of a spirit level to gauge the surface before adjusting any feet, by placing the appliance in its location and checking both the Forward and Side elevations.

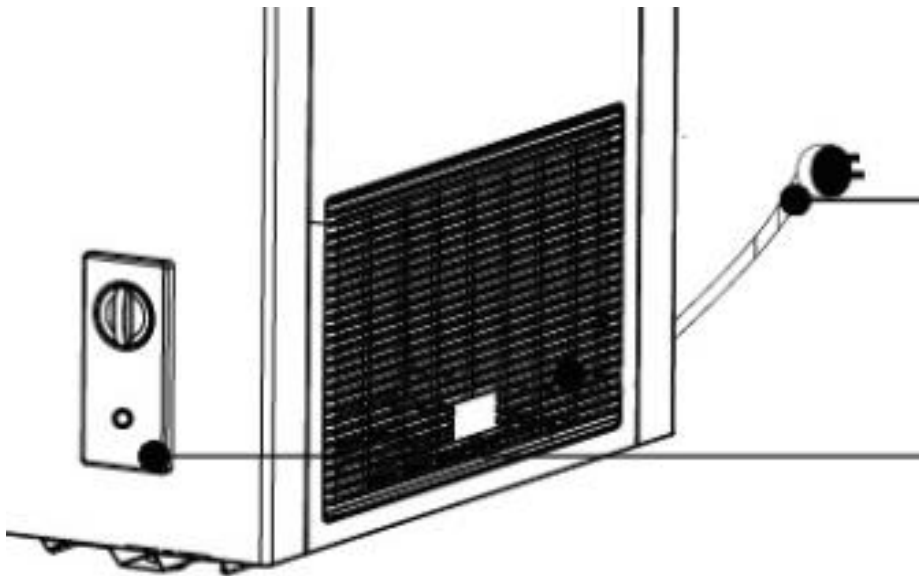
Once you know the level of the appliance, slightly tilt the appliance at the required corner and using a spanner, rotate the desired foot in an anti-clockwise motion. Ensure levels are checked regularly during this stage.

## FIRST TIME USE

Your power cord may be stored behind the grille next to the temperature control dial.

Your appliance may have a emit an odour upon first use. This is normal, and can be reduced either through use or wiping down all internal surfaces with warm water.

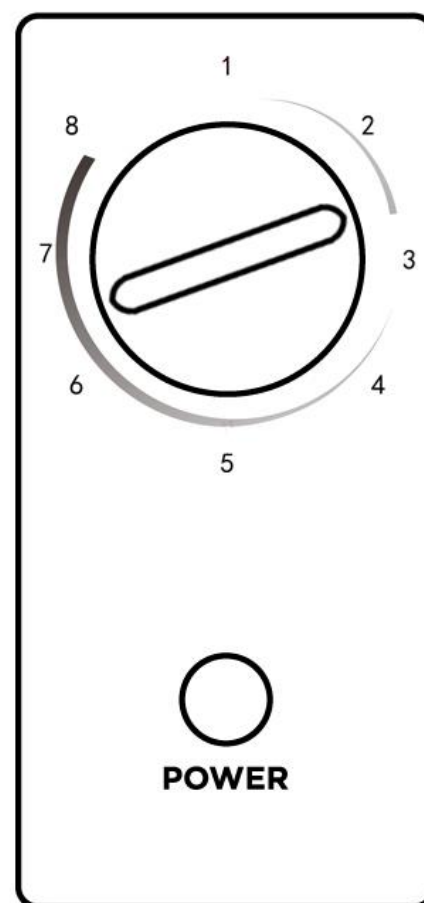
Plug your appliance in. Ensure your appliance is set to “6” or “7” for first time use. This will begin the compressor at which point there may be a bubbling sound. This is normal.



## USAGE INSTRUCTIONS

The temperature in the appliance is controlled by the temperature control dial located on the front, at the bottom right. Rotate the control dial to the desired setting.

On the temperature control, 1 is the warmest setting and 8 is the coldest setting. Under normal conditions the temperature control should be set between 6 and 7. Once the temperature control has been set, we recommend that the door is not opened for a minimum of 4 hours to allow the appliance to reach the standard operating temperature. Settings 1 – 3 are cooling settings and this means the temperature inside the product will be between 1 °C and 10 °C. Settings 4 – 8 are freezing settings and this means the temperature inside the product will be between -12 °C and -26 °C.



Note: The standard operating temperature for the freezer compartment should be between -18°C and -26°C.

## DEFROSTING

- Defrost twice a year or when a frost layer of approximately 7 mm (1/4") has formed.
- 6 hours before the defrosting process, set the thermostat knob at the "8" position to make sure the food is at the lowest temperature before removing the frozen foods. All food should be wrapped in several layers of newspaper and stored in a cool place (e.g., fridge or larder).
- Switch off the appliance at the socket outlet and remove the mains plug from the socket.
- Remove the freezer basket and ensure the lid remains open. Containers of warm water (never hot) may be placed carefully in the freezer to speed up the defrosting process.
- Never use hairdryers, electrical heaters, or other electrical appliances for defrosting.
- When the ice has melted, drain the water in the bottom of the freezer by removing the plastic stopper in the bottom of the appliance (this is inside the appliance)
- **NOTE:** KEEP THE PLASTIC STOPPER SAFE DURING THE DEFROSTING PROCESS AND REPLACE AFTER THE DEFROSTING PROCESS IS COMPLETE
- A Drain cap is located on the front bottom left of the outside of the appliance. Place a container under the drain cap to catch the defrosted water. Unscrew the cap slowly so the drips out at first, once the cap is completely unscrewed the water will flow in to the container. This may take several attempts to drain all the water. After the draining has been completed, replace the cap in the appliance and rotate the drainage cap on the outside of the appliance.
- Wipe up any spillages that may have occurred.

## PROBLEM SOLVING

Machine does not turn on	<ul style="list-style-type: none"> <li>• Check it is plugged in</li> <li>• Check the plug socket operates correctly using another appliance</li> <li>• Check the fuse</li> </ul>
The temperature inside the appliance is not cold enough	<ul style="list-style-type: none"> <li>• Check the appliance is not overloaded</li> <li>• Check the thermostat is set to a suitable setting</li> <li>• Check the appliance is not in direct sunlight or next to a heat source</li> <li>• Check the ambient temperature is within operational limits</li> <li>• Check the seals for damage</li> </ul>
The temperature within the appliance is too cold	<ul style="list-style-type: none"> <li>• Check that the thermostat is set to a suitable temperature</li> </ul>
The inner or outer surfaces of the appliance are wet	<ul style="list-style-type: none"> <li>• Caused by condensation - dry the inside of the appliance</li> <li>• Are the doors of the appliance opened frequently? Once the door is opened, the humidity found in the air in the room enters the appliance, especially if the humidity levels in the room are very high. The more frequently the door is opened in humid conditions the more chance of the build-up of moisture</li> </ul>
Excess ice or frost has built up inside the appliance	<ul style="list-style-type: none"> <li>• Check that the door has not been left open</li> <li>• Check that the door gasket is clean and undamaged</li> </ul>
Smoke coming from appliance	<ul style="list-style-type: none"> <li>• Immediately stop using the appliance</li> <li>• If possible, remove all contents and remove from location, and unplug</li> <li>• Immediately contact customer services</li> </ul>



**WARNING!** During use, service, and disposal of the appliance, please pay attention to symbol similar to the one shown, which is located on side of the appliance (side panel or compressor) and with a yellow or orange colour. It's risk of fire warning symbol. There are flammable materials in refrigerant pipes and compressor. Please be far away from fire source during use, service, and disposal.

If you are still experiencing difficulties with the appliance, please contact us **BEFORE** returning the appliance to the retailer it was purchased from:

**Website:** [abodeproducts.com](http://abodeproducts.com)

**Telephone:** 0345 208 8750

**Address:** Product Care Customer Service, Green Bank Business Park, Hindley Green, Wigan, WN2 4AY

# TECHNICAL SPECIFICATION

Supplier's name or Trade Mark:	Abode				
Supplier's Address:	Unit 1, Green Bank Business Park, Wigan, WN2 4AY / PCT (NI) Ltd, Belfast, BT5 5AD.				
Model Identifier:	A99CF0E1 W/B				
Product Type	Chest Freezer				
	Value		Value		
Total Volume (L)	99	Dimensions (cm)	Height	85.0	
			Width	54.7	
			Depth	44.6	
		Net Weight (kg)	22.1		
Rated Voltage	AC220V-240V / 50Hz	Rated Current	0.5A		
EEI	100	Energy Efficiency Rating	E		
Airborne acoustical noise emissions (dB)	38	Airborne acoustical noise emission class	C		
Annual Energy Consumption (kWh/a) <i>*Actual consumption may vary depending on how the appliance is used</i>	169	Climate Class	N/SN/ST		
Standard Annual Energy Consumption (kWh/a)*	169	Temperature Rise Time (H)	17		
Minimum ambient temperature (°C) for which the refrigerating appliance is suitable	10°C	Maximum ambient temperature (°C) for which the refrigerating appliance is suitable	38°C		
Winter Setting	No				
Compartment Type		Compartment Parameters and Values			
		Compartment Volume (L)	Recommended temperature setting for optimised food storage (°C) These settings shall not contradict the storage conditions set out in Annex IV, Table 3	Freezing capacity (kg/24 h)	Defrosting type (Automatic / Manual / Static)
Pantry	No	N/A	+17	N/A	N/A
Wine Storage	No	N/A	+12	N/A	N/A
Cellar	No	N/A	+12	N/A	N/A
Fresh Food	No	N/A	+4	N/A	N/A
Chill	No	N/A	+2	N/A	N/A
0 Star or Ice Maker	No	N/A	0	N/A	N/A
1 Star	No	N/A	-6	N/A	N/A
2 Star	No	N/A	-12	N/A	N/A
3 Star	No	N/A	-18	N/A	N/A
4 Star	No	N/A	-18	N/A	N/A
2 Star Section	No	N/A	-12	N/A	N/A
Variable Temperature Compartment	Yes	99	-18	4.5	Manual
Light Source Parameters (for models with an LED lamp)					
Type of Light Source	N/A		For 4-Star Compartments		
Energy Efficiency Class	N/A		Fast Freeze	No	
Low Noise Appliance	No		Design Type	Freestanding	
Wine Storage Appliance	No		Other Refrigerating Appliance	Yes	
Minimum duration of the guarantee offered by the supplier:		12 months			
Weblink to the manufacturer's website, where the information in point 4(a) Annex of Commission Regulation (EU) 2019/2019 (1) (b) is found:		abodeproducts.com			

# TECHNICAL SPECIFICATION

Supplier's name or Trade Mark:	Abode				
Supplier's Address:	Product Care Trading Limited, Unit 1, Green Bank Business Park, Wigan, WN2 4AY / PCT (NI) Ltd, Belfast, BT5 5AD.				
Model Identifier:	A142CF0E1 W/B				
Product Type	Chest Freezer				
	Value		Value		
Total Volume (L)	143	Dimensions (cm)	Height	85.0	
			Width	60.0	
			Depth	56.0	
		Net Weight (kg)	22.7		
Rated Voltage	AC220V-240V / 50Hz	Rated Current	1.0A		
EEL	100	Energy Efficiency Rating	E		
Airborne acoustical noise emissions (dB)	40	Airborne acoustical noise emission class	C		
Annual Energy Consumption (kWh/a) <i>*Actual consumption may vary depending on how the appliance is used</i>	182	Climate Class	N/SN/ST		
Standard Annual Energy Consumption (kWh/a)*	182	Temperature Rise Time (H)	15		
Minimum ambient temperature (°C) for which the refrigerating appliance is suitable	10°C	Maximum ambient temperature (°C) for which the refrigerating appliance is suitable	38°C		
Winter Setting	No				
		Compartment Parameters and Values			
Compartment Type		Compartment Volume (L)	Recommended temperature setting for optimised food storage (°C) These settings shall not contradict the storage conditions set out in Annex IV, Table 3	Freezing capacity (kg/24 h)	Defrosting type (Automatic / Manual / Static)
Pantry	No	N/A	+17	N/A	N/A
Wine Storage	No	N/A	+12	N/A	N/A
Cellar	No	N/A	+12	N/A	N/A
Fresh Food	No	N/A	+4	N/A	N/A
Chill	No	N/A	+2	N/A	N/A
0 Star or Ice Maker	No	N/A	0	N/A	N/A
1 Star	No	N/A	-6	N/A	N/A
2 Star	No	N/A	-12	N/A	N/A
3 Star	No	N/A	-18	N/A	N/A
4 Star	No	N/A	-18	N/A	N/A
2 Star Section	No	N/A	-12	N/A	N/A
Variable Temperature Compartment	Yes	143	-18	6.5	Manual
Light Source Parameters (for models with an LED lamp)					
Type of Light Source	N/A	For 4-Star Compartments			
Energy Efficiency Class	N/A	Fast Freeze	No		
Low Noise Appliance	No	Design Type	Freestanding		
Wine Storage Appliance	No	Other Refrigerating Appliance	Yes		
Minimum duration of the guarantee offered by the supplier:		12 months			
Weblink to the manufacturer's website, where the information in point 4(a) Annex of Commission Regulation (EU) 2019/2019 (1) (b) is found:		abodeproducts.com			



# TECHNICAL SPECIFICATION

Supplier's name or Trade Mark:	Abode				
Supplier's Address:	Product Care Trading Limited, Unit 1, Green Bank Business Park, Wigan, WN2 4AY / PCT (NI) Ltd, Belfast, BT5 5AD.				
Model Identifier:	A198CF0E1 W/B				
Product Type	Chest Freezer				
	Value		Value		
Total Volume (L)	198	Dimensions (cm)	Height	85.0	
			Width	77.0	
			Depth	56.0	
		Net Weight (kg)	25.3		
Rated Voltage	AC220V-240V / 50Hz	Rated Current	0.9A		
EEL	100	Energy Efficiency Rating	E		
Airborne acoustical noise emissions (dB)	41	Airborne acoustical noise emission class	C		
Annual Energy Consumption (kWh/a) <i>*Actual consumption may vary depending on how the appliance is used</i>	200	Climate Class	N/SN/ST		
Standard Annual Energy Consumption (kWh/a)*	200	Temperature Rise Time (H)	20		
Minimum ambient temperature (°C) for which the refrigerating appliance is suitable	10°C	Maximum ambient temperature (°C) for which the refrigerating appliance is suitable	38°C		
Winter Setting	No				
<b>Compartment Parameters and Values</b>					
Compartment Type		Compartment Volume (L)	Recommended temperature setting for optimised food storage (°C) These settings shall not contradict the storage conditions set out in Annex IV, Table 3	Freezing capacity (kg/24 h)	Defrosting type (Automatic / Manual / Static)
Pantry	No	N/A	+17	N/A	N/A
Wine Storage	No	N/A	+12	N/A	N/A
Cellar	No	N/A	+12	N/A	N/A
Fresh Food	No	N/A	+4	N/A	N/A
Chill	No	N/A	+2	N/A	N/A
0 Star or Ice Maker	No	N/A	0	N/A	N/A
1 Star	No	N/A	-6	N/A	N/A
2 Star	No	N/A	-12	N/A	N/A
3 Star	No	N/A	-18	N/A	N/A
4 Star	No	N/A	-18	N/A	N/A
2 Star Section	No	N/A	-12	N/A	N/A
Variable Temperature Compartment	Yes	198	-18	9.0	Manual
<b>Light Source Parameters (for models with an LED lamp)</b>					
Type of Light Source	N/A				
Energy Efficiency Class	N/A				
Low Noise Appliance	No		Fast Freeze	No	
Wine Storage Appliance	No		Design Type	Freestanding	
			Other Refrigerating Appliance	Yes	
Minimum duration of the guarantee offered by the supplier:			12 months		
Weblink to the manufacturer's website, where the information in point 4(a) Annex of Commission Regulation (EU) 2019/2019 (1) (b) is found:			abodeproducts.com		

# NOTES

# IMPORTANT!

## DEFROST

Wash the drawer with hot water at least once a month.

6  
MONTHS

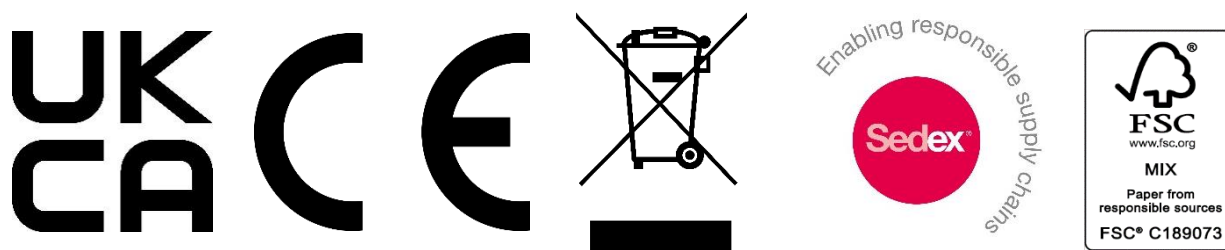
# abode

This product is guaranteed for 12 months from the date of the original purchase. If any defect arises due to faulty materials or workmanship, the faulty product must be returned to the place of purchase.

# abode

Made by Product Care Trading Limited, Wigan, WN2 4AY/ PCT (NI)  
Ltd, Belfast, BT5 5AD.

Abode Support: call 0345 208 8750 or visit [abodeproducts.com](http://abodeproducts.com)



The 'whee bin' symbol is known as the 'Crossed-out whee bin Symbol'. When this symbol is marked on a product/batteries, it means that the product/batteries should not be disposed of with your general household waste. Only discard electrical/electronic/battery items in separate collection schemes, which cater for the recovery and recycling of materials contained within. Your co-operation is vital to ensure the success of these schemes and for the protection of the environment. For your nearest disposal facility, visit [www.recycle-more.co.uk](http://www.recycle-more.co.uk) or ask in store for details.

SEDEX – Connecting businesses and their global suppliers to share ethical data and enabling improvement in ethical performance. Visit [www.sedex.org.uk](http://www.sedex.org.uk) for further information.

We reserve the right, due to possible changes to design, to alter the instruction manual without prior notice.