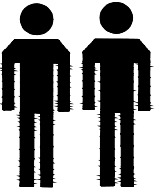


# ASSEMBLY INSTRUCTION

## HAYDEN FL BED

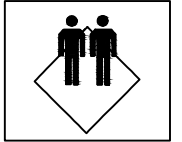
**45 MINS**

APPROXIMATE  
ASSEMBLY TIME

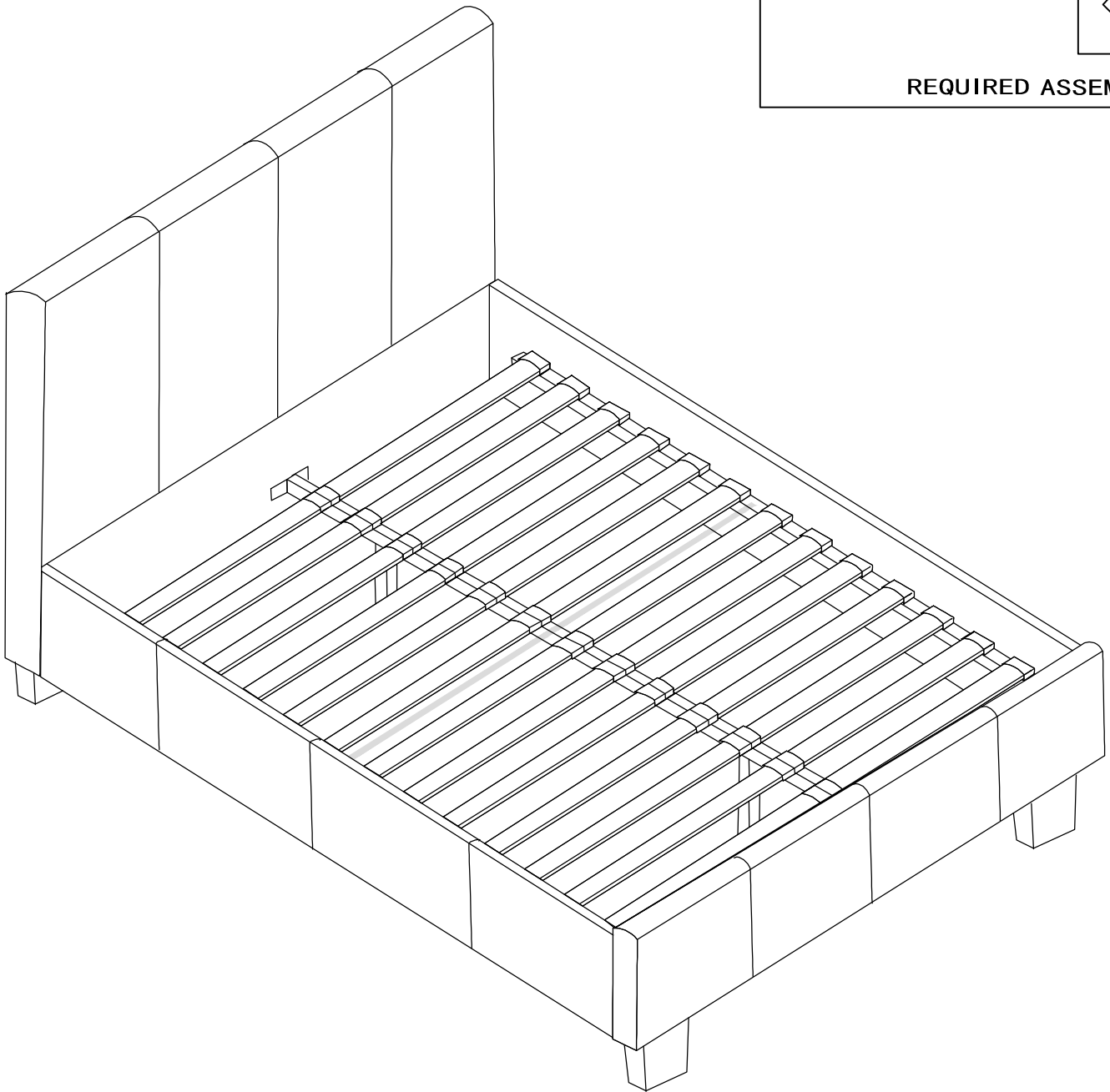


2 PERSONS  
ASSEMBLY

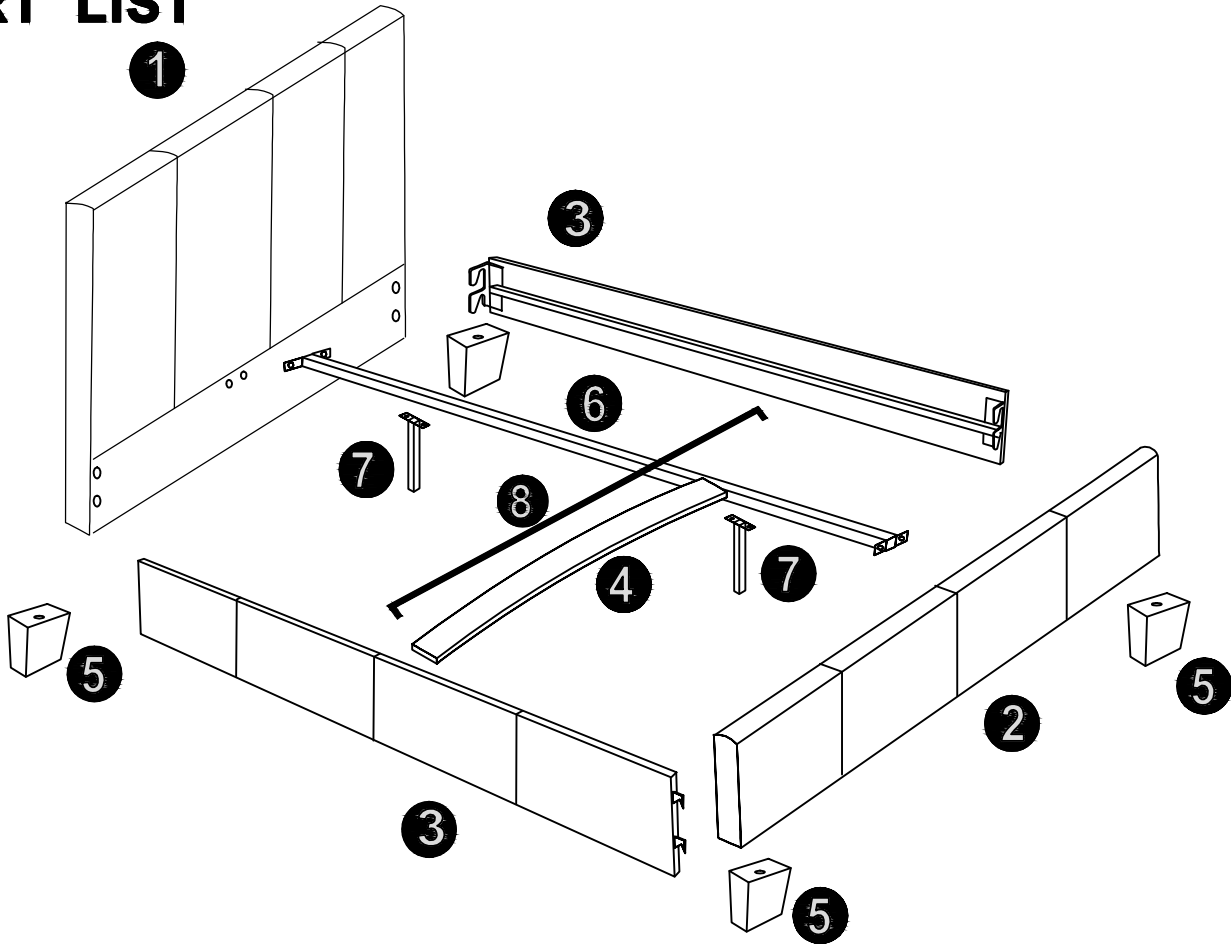
FLOOR AREA  
2Mx2.5M



REQUIRED ASSEMBLY SPACE



## PART LIST



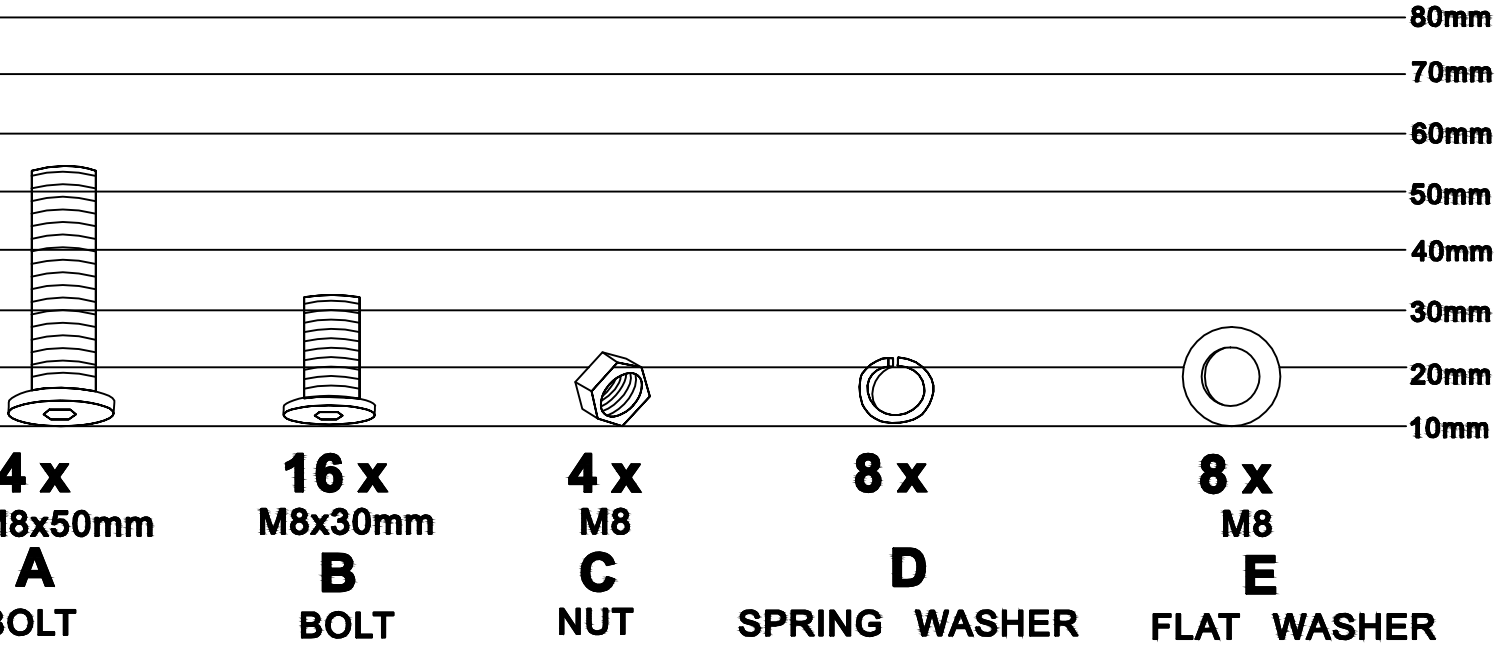
### PACK 1

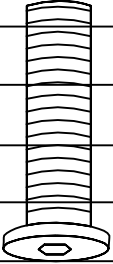
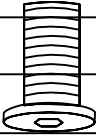
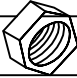
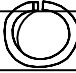
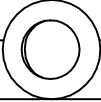
NO.	PART LIST	QTY
1	HEADBOARD	1
4	SLAT	26

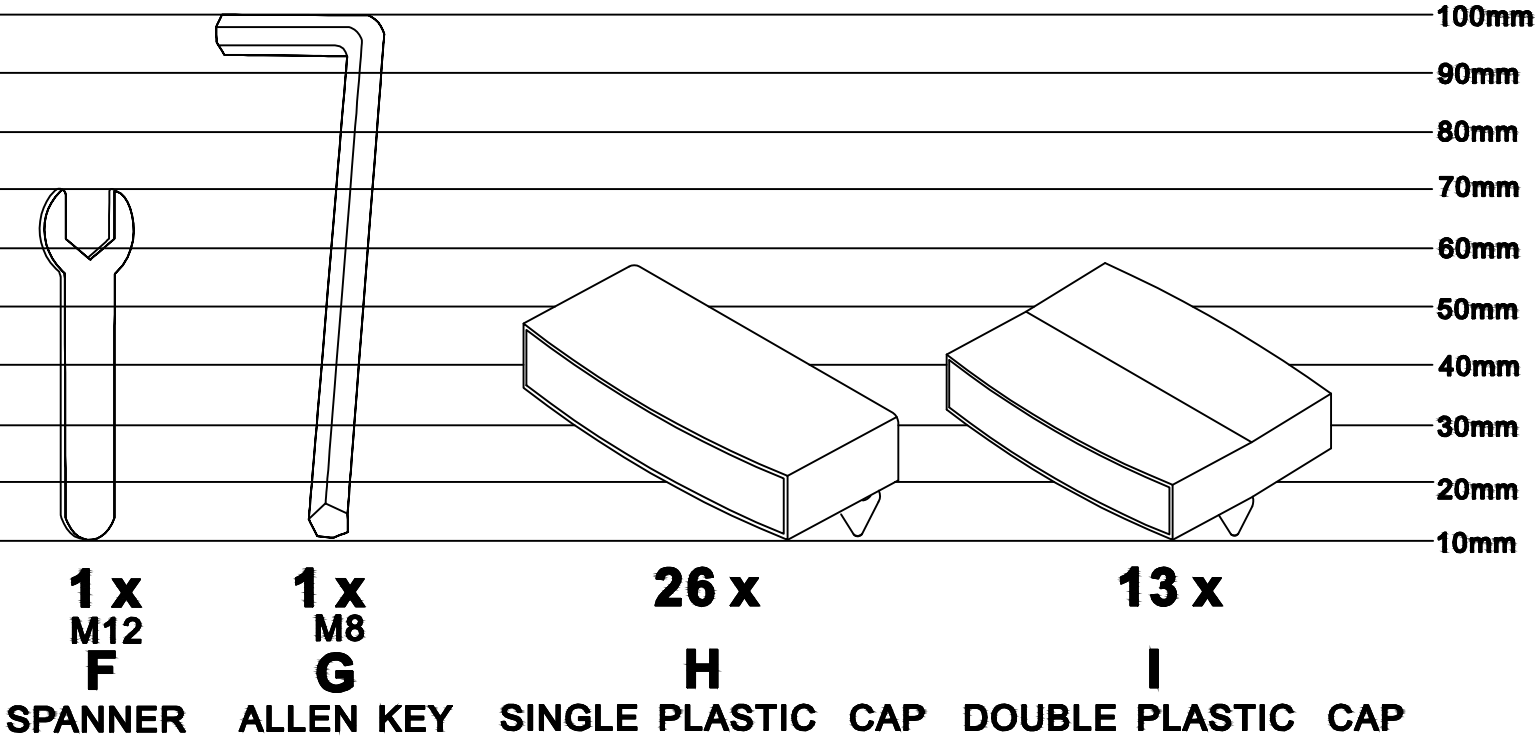
### PACK 2


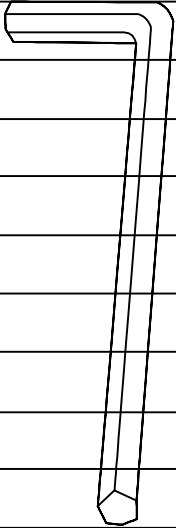
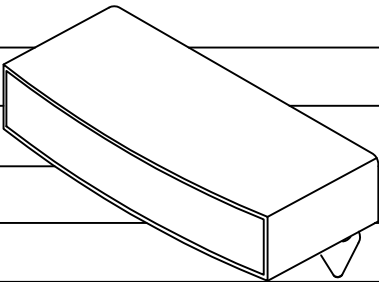
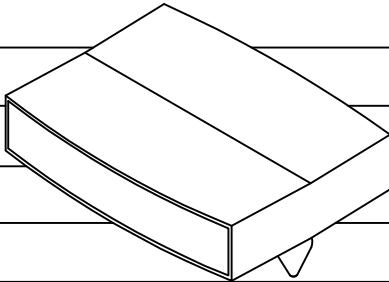
NO.	PART LIST	QTY
2	FOOTBOARD	1
3	SIDE RAIL	2
5	LEG	4
6	CENTRE SUPPORT BAR	1
7	SUPPORT LEG	2
8	CROSS BAR	1

**HARDWARE LIST**

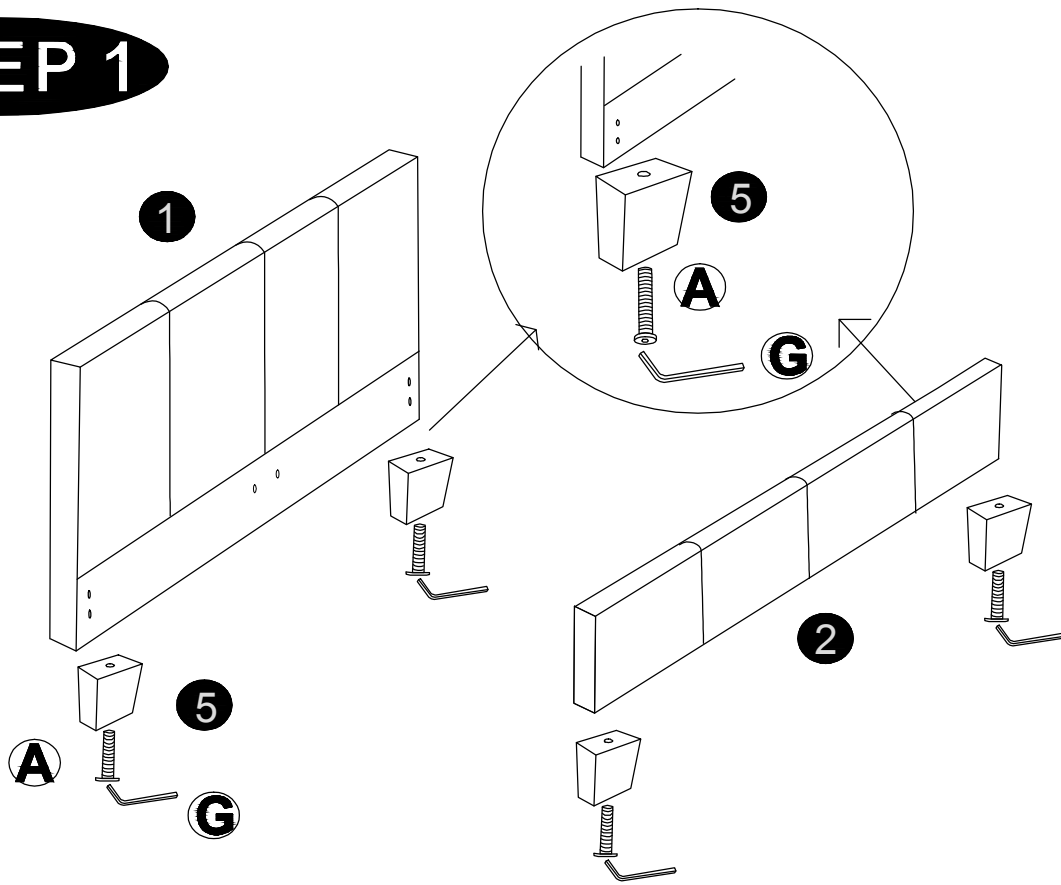


				
<b>4 x</b> M8x50mm <b>A</b> BOLT	<b>16 x</b> M8x30mm <b>B</b> BOLT	<b>4 x</b> M8 <b>C</b> NUT	<b>8 x</b> <b>D</b> SPRING WASHER	<b>8 x</b> M8 <b>E</b> FLAT WASHER

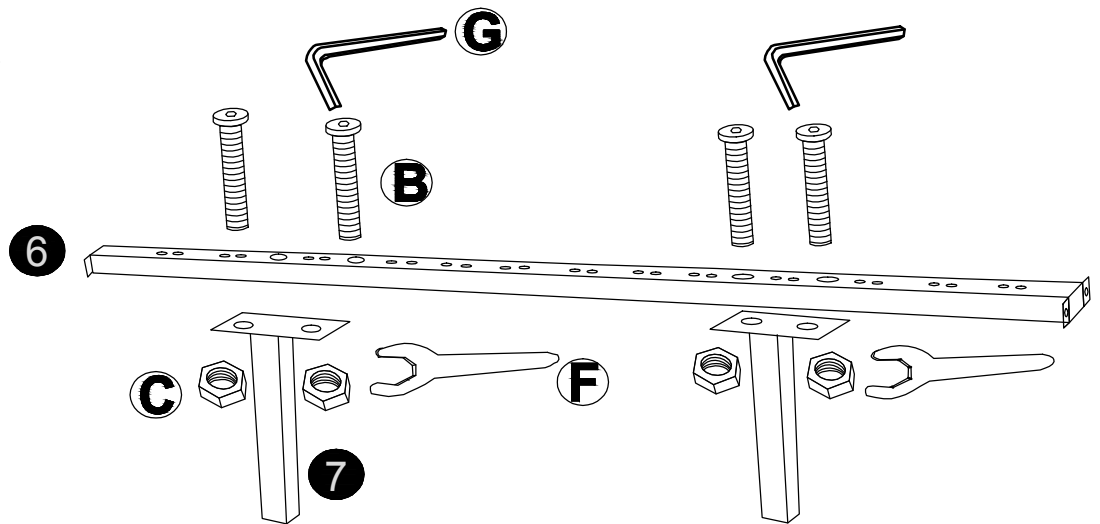


			
<b>1 x</b> M12 <b>F</b> SPANNER	<b>1 x</b> M8 <b>G</b> ALLEN KEY	<b>26 x</b> <b>H</b> SINGLE PLASTIC CAP	<b>13 x</b> <b>I</b> DOUBLE PLASTIC CAP

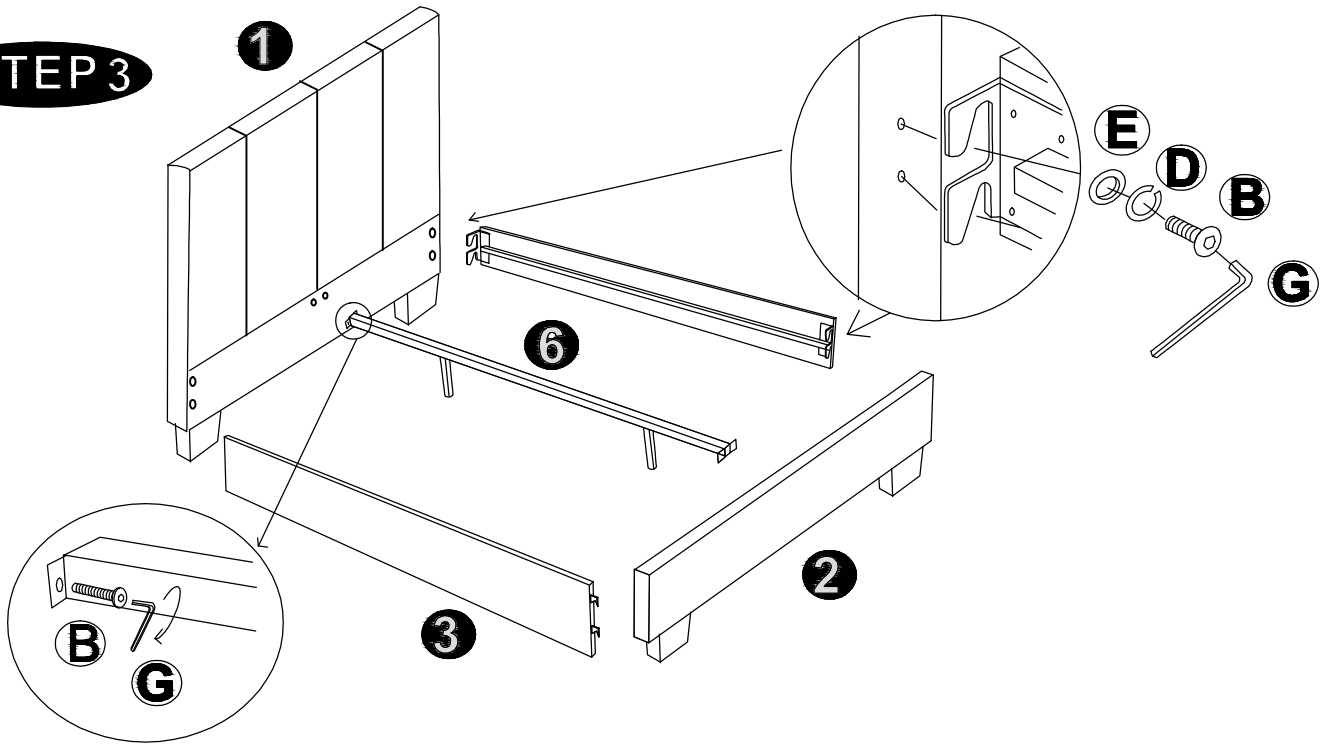
STEP 1



STEP 2



## STEP 3



## STEP 4

