

Owner Instructions



Warning! Read instructions before using the machine

HVX 200A

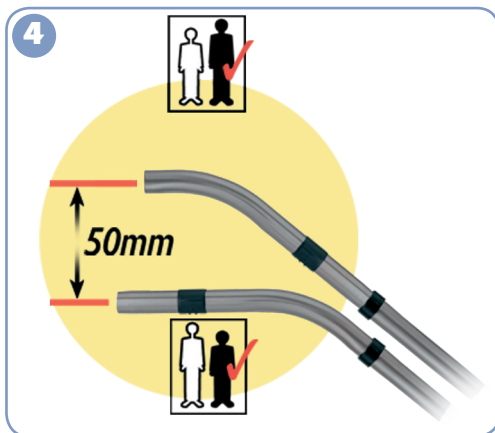


www.numatic.com

HVX 200A Kit - X1 607170



Assembly



Using your machine



Lo
Start
600W



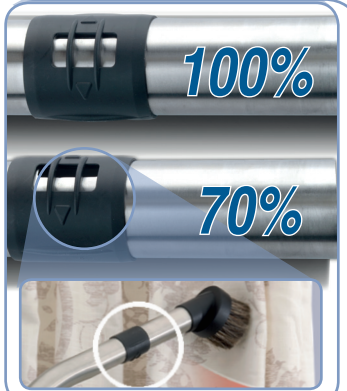
Suction
1500 mm w.g.



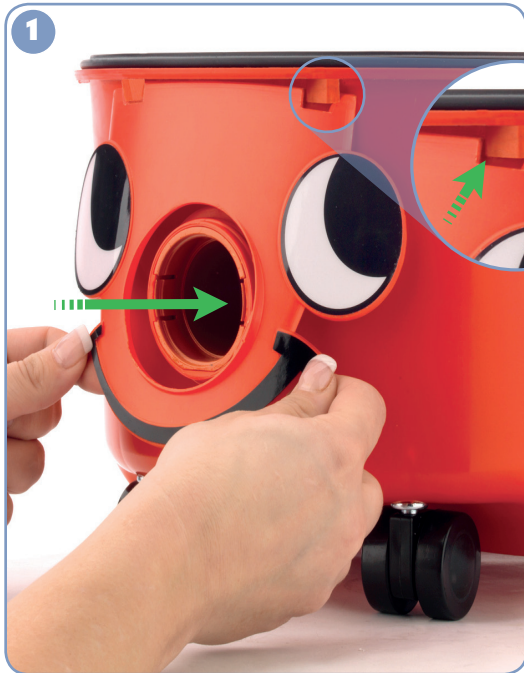
Hi
1200W



Suction
2500 mm w.g.



Fitting the Face on



Removing the Face



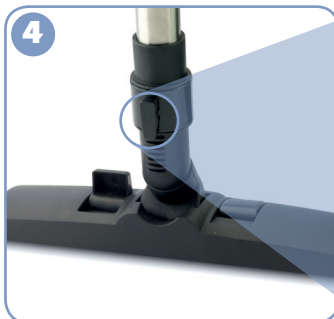
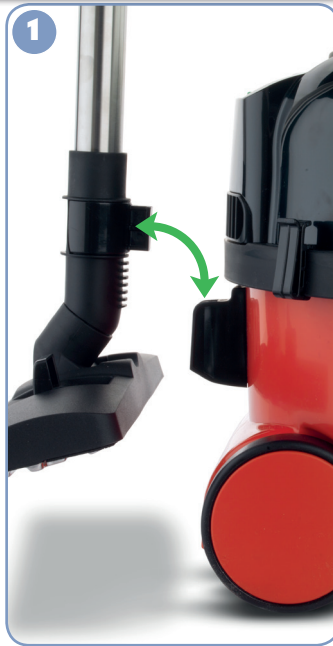
Wand docking



601059



237373



Information for DRY USE Vacuum cleaners



WARNING

Ensure you read the instruction manual before using the machine.

Operators shall be adequately instructed on the use of these machines, as with all electrical equipment, care and attention must be exercised at all times during use, you must also make certain that routine and preventative maintenance is carried out periodically to ensure safe operation.

Failure to carry out maintenance as necessary, including the replacement of parts to the correct standard could render this equipment unsafe and the manufacturer can accept no responsibility in this respect.

This machine is for DRY USE only

You must disconnect the machine from the mains by removing the plug from the supply socket BEFORE cleaning or maintenance and when replacing parts or converting the machine to another function.

This appliance is intended to be assembled, cleaned and maintained by an adult.

This machine is not suitable for the collection of biological hazards, hazardous or explosive dusts. Contact your local distributor if you require a machine capable of performing these tasks.

The machine must not be used by persons with reduced physical, sensory or mental capabilities, or lack of experience or knowledge, unless they have been given supervision or instruction.

You must not allow the supply cord to come into contact with rotating brushes (if fitted).

Only use the socket outlet on the machine for purposes specified in the instructions (where fitted).

This machine is not a toy; children shall not play with this machine.



CAUTION

This machine must not be stored outside, or used in wet environments, or to collect wet materials.

The vacuum cleaner should be stored in a dry place and is for indoor use only.

You must ensure that the filtration system fitted to the machine is suitable for the material being collected.

NOTES

This product complies with the requirements of EN 60335-2.69.

This machine is suitable for commercial use, for example in hotels, schools, hospitals, factories, shops and offices for other than normal housekeeping purposes.

If the vacuum cleaner stops working, remove the plug from the wall before investigating where the fault lies.

If the vacuum cleaner has a blockage, switch off, remove the plug from the socket outlet, and inspect the floor tool, wands and hose for debris. If the floor tool, wands and hose are clear, replace the dust bag and clean the filter.

The vacuum cleaner should be inspected after use for damage.



DO

- Keep your machine clean.
 - Keep filters clean.
 - Use filter bags, they will enhance performance and help keep machine clean.
 - Use a Numatic Original filter bag under fine dust conditions.
 - Keep hoses and tubes clear.
 - Replace any worn or damaged parts immediately.
 - Regularly examine the power cord. If damage is found such as cracking or ageing the power cord must be replaced by a competent person using the correct Numatic original part.
- Change dust bag frequently.
 - Keep diffuser filter (where fitted) clean.
 - Only use the brushes provided with the machine. The use of other brushes may impair safety.



DON'T

- Unreel the cable with one pull or pull on the cable to unplug the machine from the power supply.
- Use to suck up hot ashes or lighted cigarette ends.
- Use steam cleaners, pressure washers or immerse in water to clean the machine.
- Attempt machine maintenance or cleaning unless the power supply plug has been removed from the supply outlet.
- Use in a wet environment or to collect wet materials.
- Store your machine in wet conditions.



**EU DECLARATION
OF
CONFORMITY**

We hereby declare under our sole responsibility that the following equipment fulfils all the relevant provisions of the following EU Directives:

Machinery Directive 2006/42/EC
EMC Directive 2004/108/EC
RoHS Directive 2011/65/EU

Machine Description: Vacuum Cleaner
Type: HVR, HET, HVX, NRV, NVR, EVR, VNR, NSR, HMR, HHR NNR series

Manufactured by: Numatic International Limited

Relevant standards upon which conformity is declared include:

IEC 60335-1:2001 +A1:2004 + A2:2006 + National Deviations
IEC 60335-2-2:2002 +A1:2004
IEC 60335-2-69:2002 +A1:2004
EN 55014-1:2006
EN 55014-2:1997 +A1:2001 (Cat II)
EN 61000-3-2:2006
EN 61000-3-3:1995 +A1+A2
EN 62233:2008

A technical construction file for this equipment is retained at the manufacturer's address under the authorisation of the following signatory:

Name: Allyn Boyes **Position:** Technical Manager

Signed:

Date: 01 /01/2013



Numatic International Limited,
Chard, Somerset.
TA20 2GB
www.numatic.co.uk

GB

Numatic International Warranty

Numatic International Limited warrant to the original purchaser that its products are free of defects in both material or workmanship for the period shown below:-

Homecare and Cleancare Vacuum cleaners.....	2 Years
Rotary Floor Machines.....	2 Years
Twintec Auto Scrubber Dryer.....	1 Year
Vario Ride-On Scrubber Dryer.....	1 Year / 1500 hours
Mopping, Compacts, Combi and Servocare Products.....	1 Year
Individual Accessories and Spare Parts.....	6 Months

Note: This warranty expressly excludes consumable parts such as carbon brushes, floor brushes, mops, batteries etc, that are considered replaceable from time to time during the normal working life of the machine.

- A. The warranty period commences from the date the goods are purchased.
- B. All warranty claims must be processed through the Dealer from whom the equipment was purchased. The Dealer will co-operate with the purchaser throughout the warranty claims procedure and will arrange any necessary repairs using genuine Numatic parts.
- C. If the original Dealer is no longer able to fulfil his obligations please contact Numatic International Limited with full details of the claim and proof of purchase so that this may be processed without delay.
- D. Any warranty claim can only relate to the specific part that is proven to be at fault and for which a replacement will be supplied but cannot be extended to constitute a claim against the complete machine.
- E. Numatic International will supply the Dealer with any warranty parts required, subject to the claim being validated, after return of the faulty items in accordance with Numatic International Limited's General Conditions of Sale.
- F. Claims will not be accepted if they are the result of fair wear and tear, misuse or abuse of any kind.
- G. No replacement will be given unless the appropriate evidence of the validity of the claim has been provided to the satisfaction of Numatic International Limited.
- H. Numatic International Limited reserve the right to charge for any unnecessary work carried out as a result of an invalid claim.
- I. No variation to this warranty may be made or implied by any member of Numatic International Limited or its Dealers unless such variation is in writing and authorised by the Company

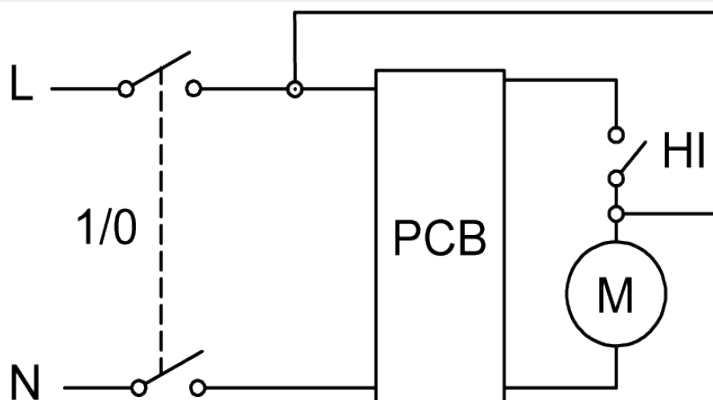


Numatic International Limited, Chard, Somerset, TA20 2GB
Telephone: 01460 88600 Fax: 01460 88458
© Numatic International Limited

Data

Power		Motor	Airflow	Suction
Hi		1200W	42 l/sec	2500mm w.g.
Lo		600W		1500mm w.g.
Size	Capacity		Cleaning Range	Weight
200	9 L		26.8 m	6.9 Kg
Size	Sound Pressure		Protection Class	
200	355 x 355 x 415 mm		67.1 dB - 63.9 dB (A) (IEC 60704-2-1) Uncertainty 0.2 dB	Class II

Schematic Diagram



WD - 0368 (A05) 09/08/11

Replacment parts

Heads	
558222	(V16) UK Head Assembly
Drums	
500969	200 Drum
Cables	
236155	UK Cable
Filter	
604165	Tritex Filter
Hepa-Flo Dust Bags	
604015	NVM 1 CH Dust Bags (200 Drum) Pack of 10

Numatic INTERNATIONAL



Cleaning the Airo Brush



Distributed by



Numatic International Limited,
Chard,
Somerset
ENGLAND TA20 2GB.
Telephone 01460 68600: Fax 01460 68458

Specification subject to change without prior notice.

www.numatic.com © Numatic International Limited

233834 04/13 (A09)