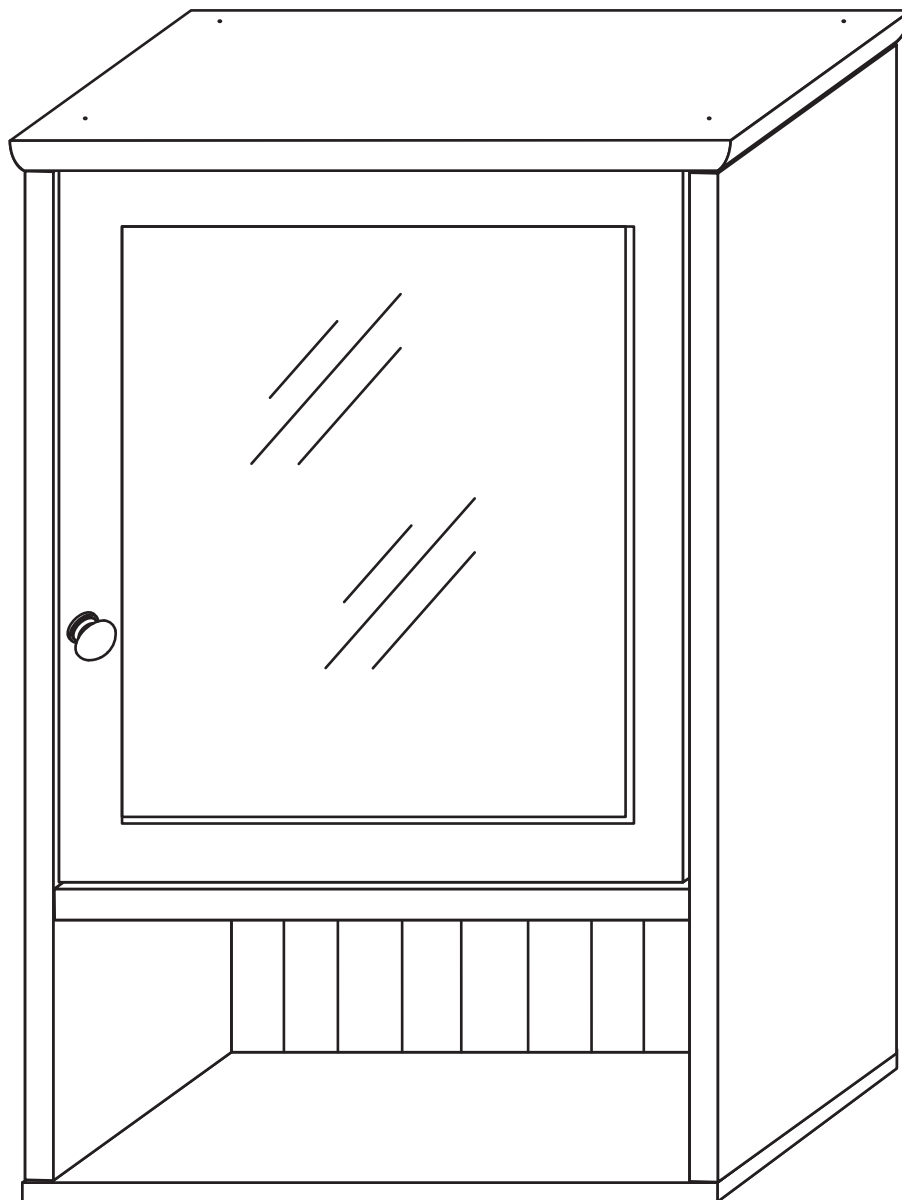


# New England Mirror Cabinet

Assembly Instructions - please keep for future reference

QN908



## Dimensions

Width - 46.5cm

Depth - 17cm

Height - 67cm

**Important – Please read these instructions fully before starting assembly**



# Safety and Care Advice

## Important – Please read these instructions fully before starting assembly

- Check you have all the components and tools listed on page 2
- Remove all fittings from the plastic bags and separate them into their groups.
- Keep children and animals away from the work area, small parts could choke if swallowed.
- Make sure you have enough space to layout the parts before starting.

- During assembly do not stand or put weight on the product, this could cause damage.
- Assemble the item as close to its final position (in the same room) as possible.
- Assemble on a soft level surface to avoid damaging the unit or your floor.
- Parts of the assembly will be easier with 2 people.



the using. Only use hand screwdrivers

- We do not recommend the use of power drill/drivers for inserting screws, as this could damage

## Care and maintenance

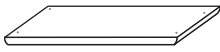

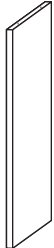


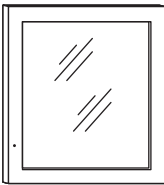
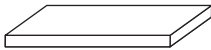
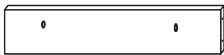
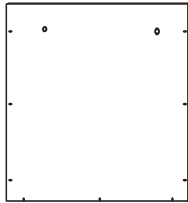

- Only clean using a damp cloth and mild detergent, do not use bleach or abrasive cleaners.
- From time to time check that there are no loose screws on this unit.
- This product should not be discarded with household waste. Take to your local authority waste disposal centre.

## Handy Hints

- Assemble all parts and bolts loosely during assembly, only once the product is complete should you fully tighten the bolts
- Regularly check and ensure that all bolts and fittings are tightened properly.

# Components - Panels


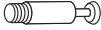






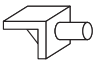




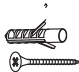

Please check you have all the panels listed below

				
<b>1 x1</b>	<b>2 x1</b>	<b>3 x1</b>	<b>4 x1</b>	<b>5 x1</b>
46.5X17X1.5cm	64X15.3X1.2cm	64X15.3X1.2cm	41 X14.8X1.2cm	43.2X15.4X1.2cm
				
<b>6 x1</b>	<b>7 x1</b>	<b>8 x1</b>	<b>9 x1</b>	<b>10 x1</b>
45.4X40.2X1.2cm	40.4X12.4X1.2cm	40.2X4X1.2cm	47.5X42.5X0.3cm	42.5X18X0.3cm

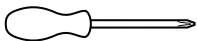
# Components - Fittings

Please check you have all the fittings listed below

Note: The quantities below are the correct amount to complete the assembly. In some cases more fittings may be supplied than are required.

								
<b>A x6</b>	<b>B x2</b>	<b>C x2</b>	<b>D x2</b>	<b>E x2</b>	<b>F x1</b>	<b>G x1</b>	<b>H x1</b>	<b>I x4</b>
5.8x30mm	35x6mm	12x10mm		3x10mm				
								
<b>J x8</b>	<b>K x1</b>	<b>L x2</b>	<b>M x19</b>	<b>N x2</b>	<b>O x1</b>			

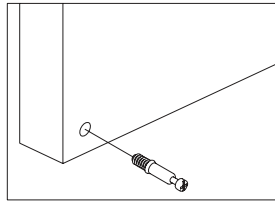
## Tools required

 Phillips screwdriver  
(medium & large)

# Using Camlocks

## Step 1

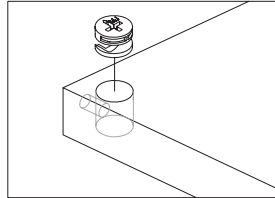
Connect the male camlock as directed in the assembly instructions using a screwdriver.



## Step 2

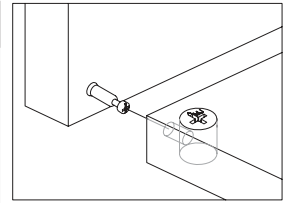
Insert the female camlock as shown in the instructions.

Note: ensure that the arrow on the top of the camlock points towards the entry hole for the male camlock.



## Step 3

Push the male camlock into the entry hole.

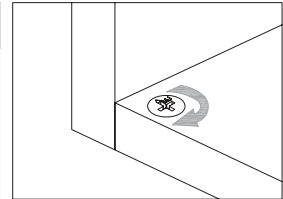


## Step 4

Turn the female camlock clockwise with a screwdriver.

You should feel a click when the camlock is locked in place.

The joint is now secure.



# Assembly Instructions

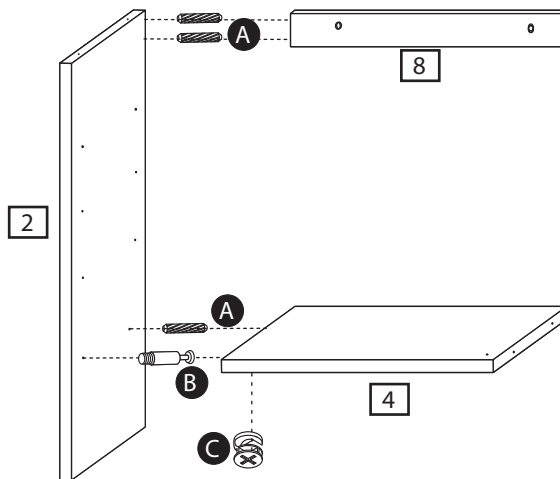
## Step 1

1. Insert 2 x Dowels **A** into the end of Top Pinth **8** as shown. Connect top Plinth **8** to Left side panel **2**

2. Insert 1 x Dowel **A** into Middle panel **4**

3. Insert 1 x Male camlock **B** into Left side panel **2**. Locate Middle panel **4** onto the camlock.

4. Insert 1 x Female camlock **C** into the underside of Panel **4**. Tighten with a Phillips Screwdriver



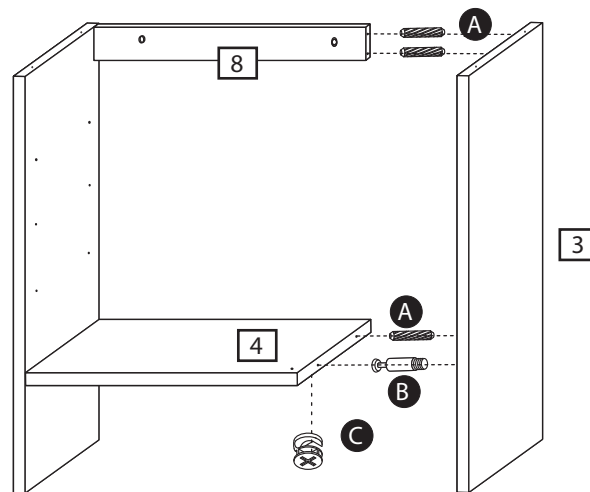
## Step 2

1. Insert 2 x Dowels **A** into the end of Top Pinth **8** as shown.

2. Insert 1 x Dowel **A** into Middle panel **4**

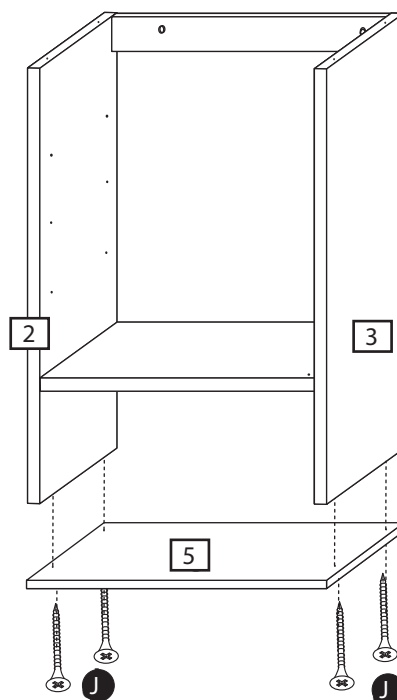
3. Insert 1 x Male camlock **B** into Right side panel **3**. Locate Middle panel **4** onto the camlock and Locate Dowels in Top Pinth **8** into adjacent holes in Panel **3**

4. Insert 1 x Female camlock **C** into the underside of Panel **4**. Tighten with a Phillips Screwdriver



## Step 3

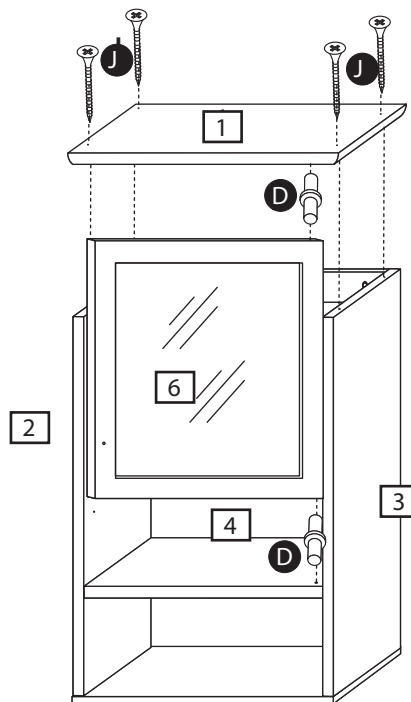
Connect Base panel **5** to side panels **2** and **3** using 4 x Screw **J**



# Assembly Instructions

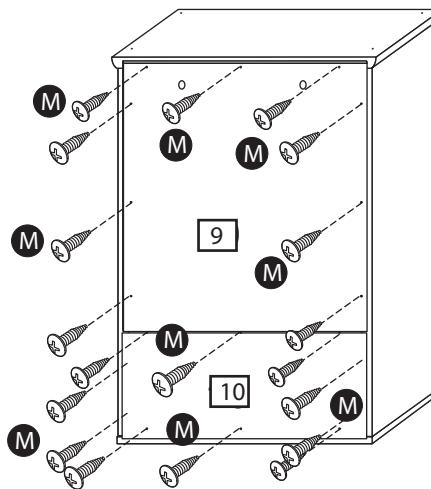
## Step 4

1. Insert 2 x Hinge pins **D** into the Top and Bottom of Door **6**
2. Locate the bottom Hinge into Hole in Middle panel **4**
3. Locate Top Hinge into Hole in the underside of Panel **1**
4. Connect Top Panel **1** to Left and Right Panel using 4 x Screw **J**



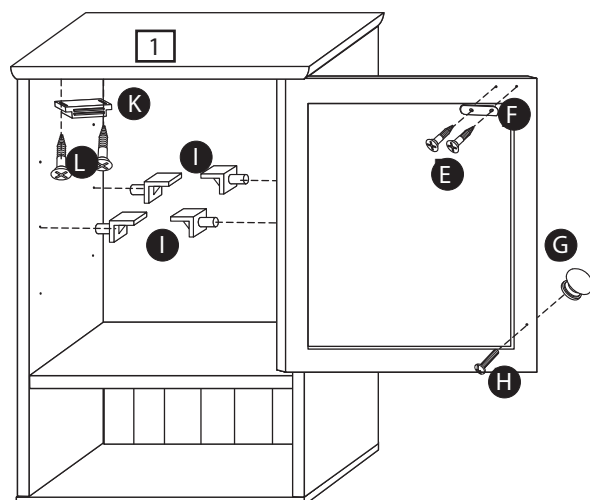
## Step 5

1. On the reverse of the unit Connect Back panels **9** and **10** using 19 x Screw **M** as shown



## Step 6

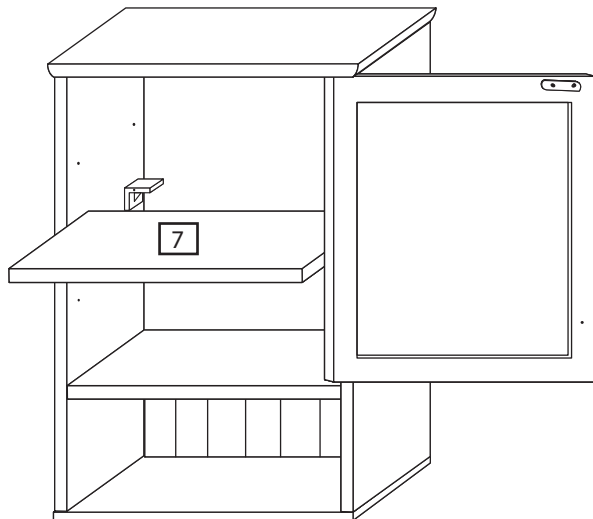
1. To the door fit 1 x Catch plate **F** using 2 x Screw **E**
2. Fit your choice of handle (**G** or **O**) using 1 x Screw **H**
3. To the underside of Top Panel **1** connect 1 x Magnetic Catch using 2 x Screw **L**.
4. Insert 4 x Shelf supports **I**



# Assembly Instructions

## Step 7

1. Locate Shelf **7** onto Shelf supports



## Step 8

1. Move the unit into desired position.



**Warning:**

The unit is heavy.

**Lift with care.**

2. Mark the wall with a suitable scribe the position of the fixing hole.

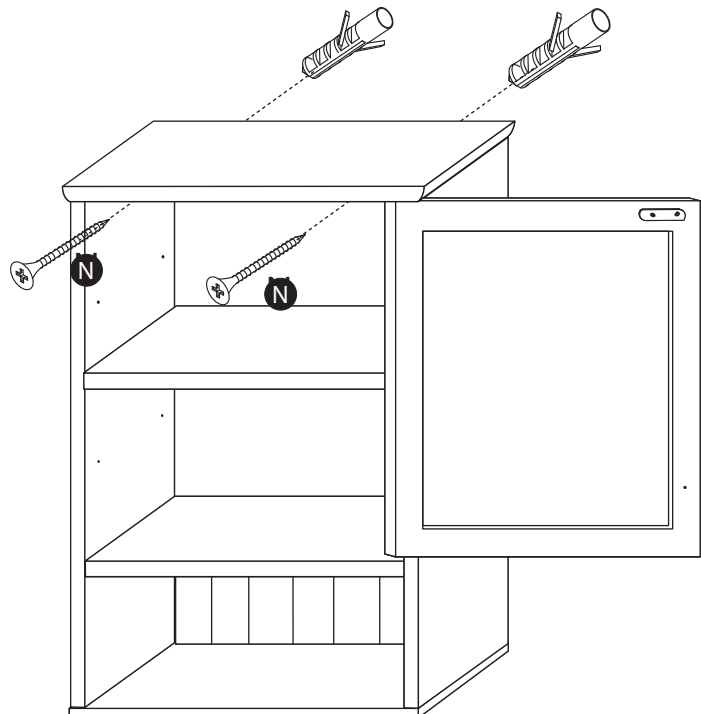


**Warning:**

Before drilling, check wall for hidden pipes and cables.

3. Drill holes and insert 2 x wall plug **N**

4. Connect to the wall using 2 x screw **N** as shown



Assembly Complete

# A Guide to Wall Mounting & Fixings

## Important note:

If plastic wall plugs (rawl plugs) are supplied with your product, e.g.:



- these are only suitable for use in masonry walls.

If you are in any doubt about the correct wall plugs for your wall, seek professional advice.


Failure of the product due to using the incorrect fixings is the responsibility of the installer.



**Important:** when drilling into walls always check that there are no hidden wires or pipes etc.

Make sure that the screws and wall plugs being used are suitable for **supporting your unit**. **Consult a qualified tradesperson if you are unsure.**

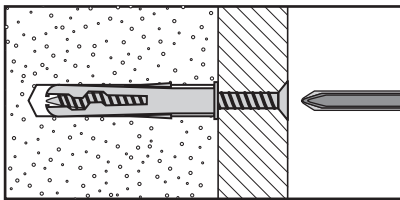
Hints:

- 1: General rule:  always use a larger screw and wall plug if you are not sure.
- 2: Ensure you use the recommended drill bit to match the wall plug and hole size.
- 3: Ensure you drill the hole horizontally; do not force the drill or enlarge the hole.
- 4: Take extra care when drilling high walls, ceilings and ceramic tiles. Ensure wall plugs are inserted beyond the thickness of the ceramic tiles to avoid the tiles splitting or cracking.
- 5: Ensure wall plugs are well fitted and are a tight fit in the drilled hole.

## Types of walls

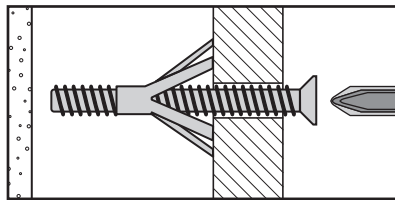
You can use one of the following types of wall plug if your walls are made of brick, breeze block, concrete, stone or wood.

No.1 "General Purpose" wall plug



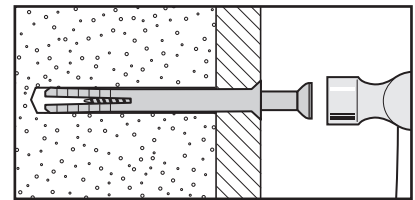
Generally aerated blocks should not be used to support heavy loads, use a specialist fitting in this case. For light loads, general purpose wall plugs can be used.

No.3 "Cavity Fixing" wall plug



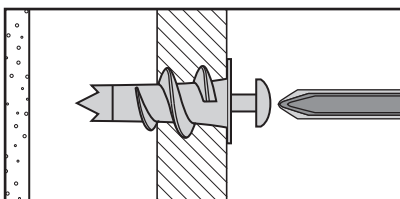
For use with plasterboard partitions or hollow wooden doors.

No.5 "Hammer Fixing" wall plug



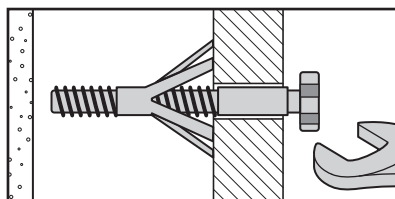
For use with walls stuck with plasterboard. The hammer fixing allows it to be fixed to the wall rather than the plasterboard. Always check the fixing is secure to the retaining wall.

No.2 "Plasterboard" wall plug



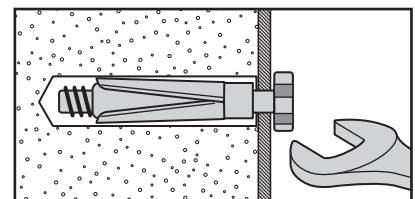
For use when attaching light loads onto plasterboard partitions.

No.4 "Cavity Fixing - Heavy Duty" wall plug



For use when fitting or supporting heavy loads such as shelving, wall cabinets and coat racks.

No.6 "Shield Anchor" wall plug - heavy loads



For use with heavier loads such as TV and HiFi speakers and satellite dishes etc.



## Care & Maintenance

**Safety:** always check the fitting and location to ensure your safety in and around the home.

**Fitting:** from time to time check the fitting to ensure the wall plugs or screws do not become loose.