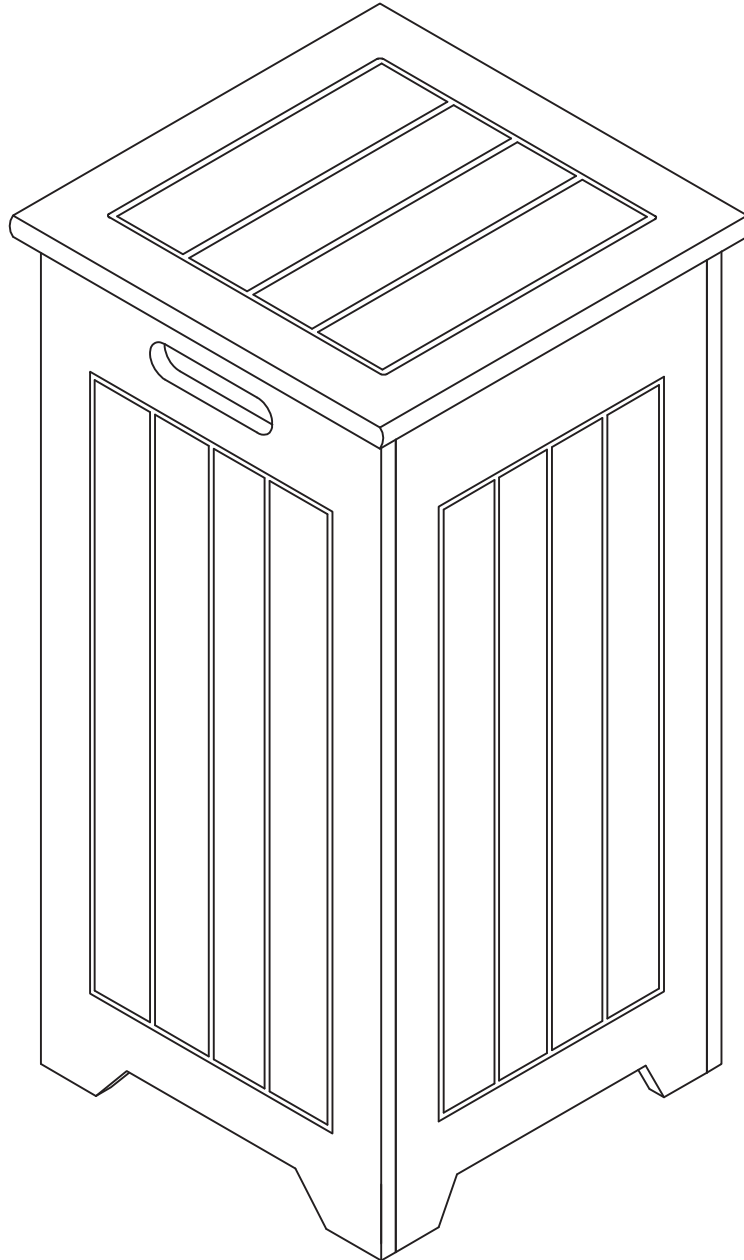


New England Laundry Hamper

Assembly Instructions - please keep for future reference

QN913



Dimensions

Width - 32cm

Depth - 31cm

Height - 60cm

Important – Please read these instructions fully before starting assembly



Safety and Care Advice

Important – Please read these instructions fully before starting assembly

- Check you have all the components and tools listed on page 2
- Remove all fittings from the plastic bags and separate them into their groups.
- Keep children and animals away from the work area, small parts could choke if swallowed.
- Make sure you have enough space to layout the parts before starting.

- During assembly do not stand or put weight on the product, this could cause damage.
- Assemble the item as close to its final position (in the same room) as possible.
- Assemble on a soft level surface to avoid damaging the unit or your floor.
- Parts of the assembly will be easier with 2 people.



- We do not recommend the use of power drill/drivers for inserting screws, as this could damage the using. Only use hand screwdrivers

Care and maintenance

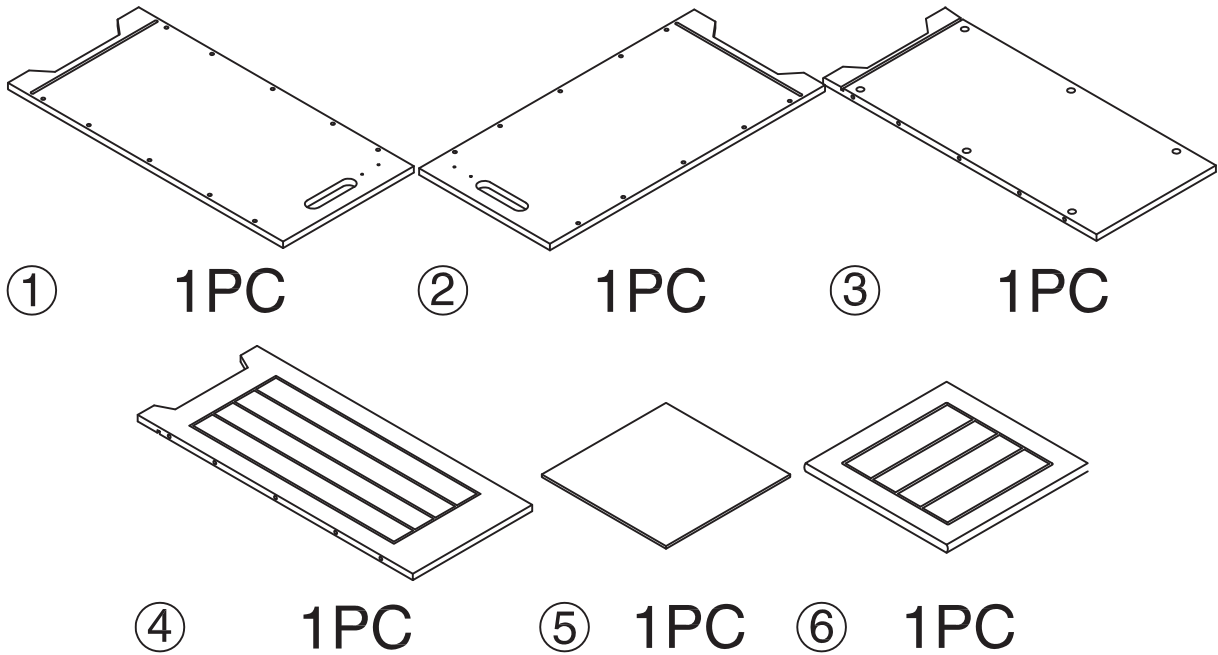
- Only clean using a damp cloth and mild detergent, do not use bleach or abrasive cleaners.
- From time to time check that there are no loose screws on this unit.
- This product should not be discarded with household waste. Take to your local authority waste disposal centre.

Handy Hints

- Assemble all parts and bolts loosely during assembly, only once the product is complete should you fully tighten the bolts
- Regularly check and ensure that all bolts and fittings are tightened properly.

Components - Panels

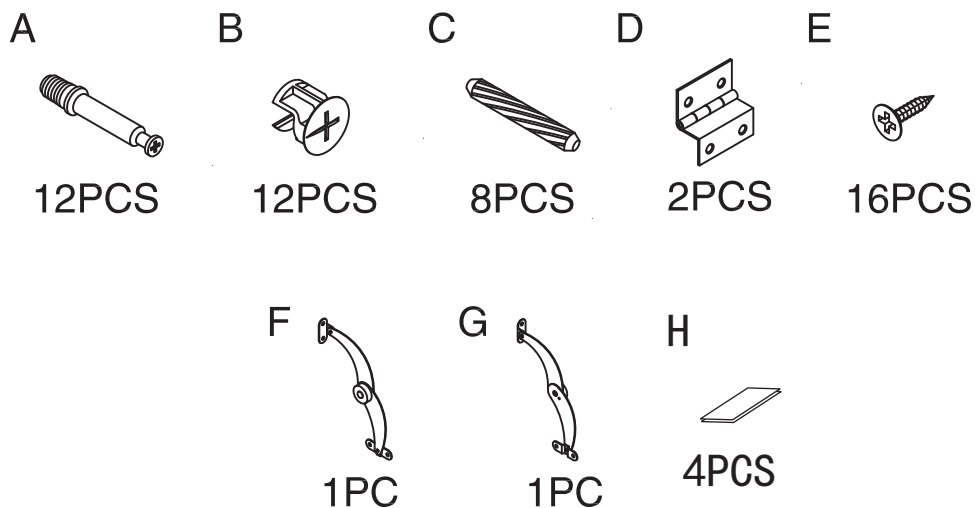
Please check you have all the panels listed below



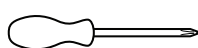
Components - Fittings

Please check you have all the fittings listed below

Note: The quantities below are the correct amount to complete the assembly. In some cases more fittings may be supplied than are required.



Tools required

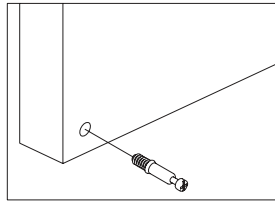


Phillips screwdriver
(medium & large)

Using Camlocks

Step 1

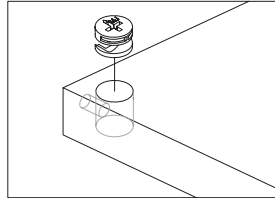
Connect the male camlock as directed in the assembly instructions using a screwdriver.



Step 2

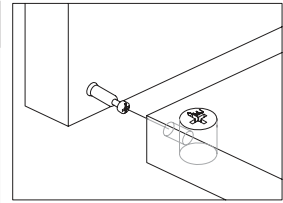
Insert the female camlock as shown in the instructions.

Note: ensure that the arrow on the top of the camlock points towards the entry hole for the male camlock.



Step 3

Push the male camlock into the entry hole.

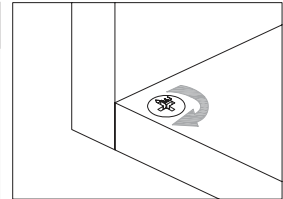


Step 4

Turn the female camlock clockwise with a screwdriver.

You should feel a click when the camlock is locked in place.

The joint is now secure.

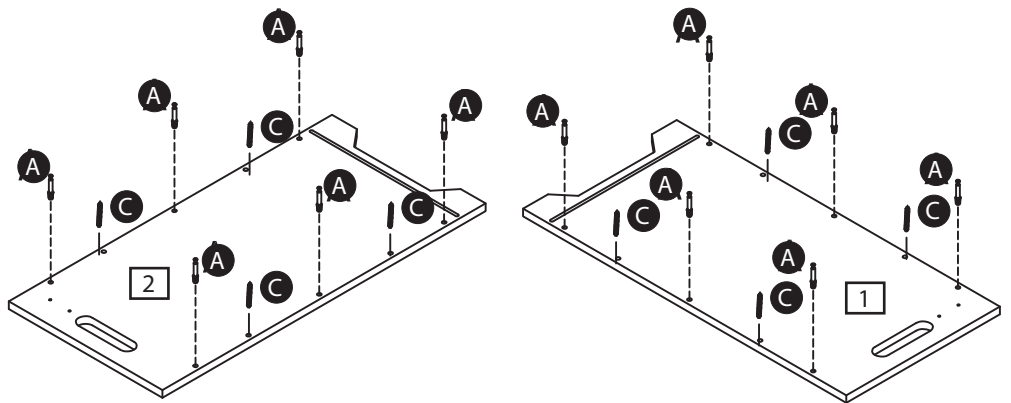


Assembly Instructions

Step 1

1. Into left side panel **2** insert 6 x Male Camlocks **A** and 4 x Dowels **C** as shown.

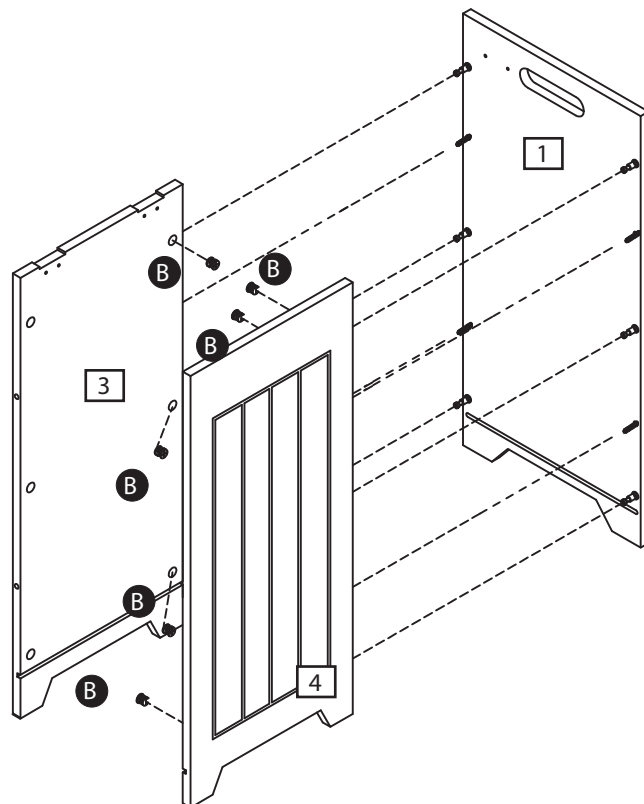
2. Into Right side panel **1** insert 6 x Male Camlocks **A** and 4 x Dowels **C** as shown.



Step 2

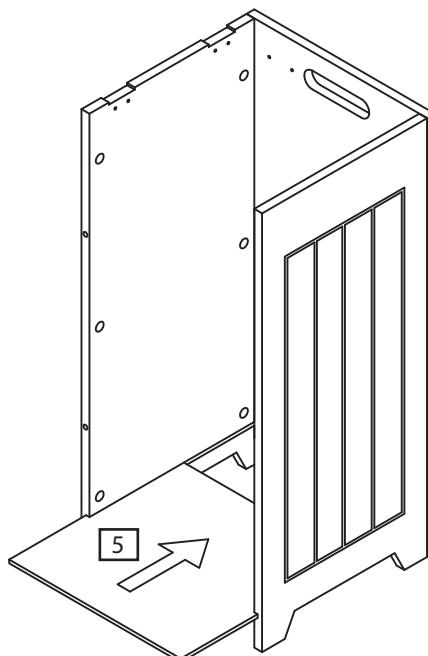
1. Connect Right Side panel **1** to Back panel **3** and Front panel **4** as shown, locating dowels and Male camlocks into adjacent holes.

2. Insert 6 x Female camlocks **B** and tighten with a Phillips screwdriver



Step 3

1. Slide Base panel **5** into position as shown

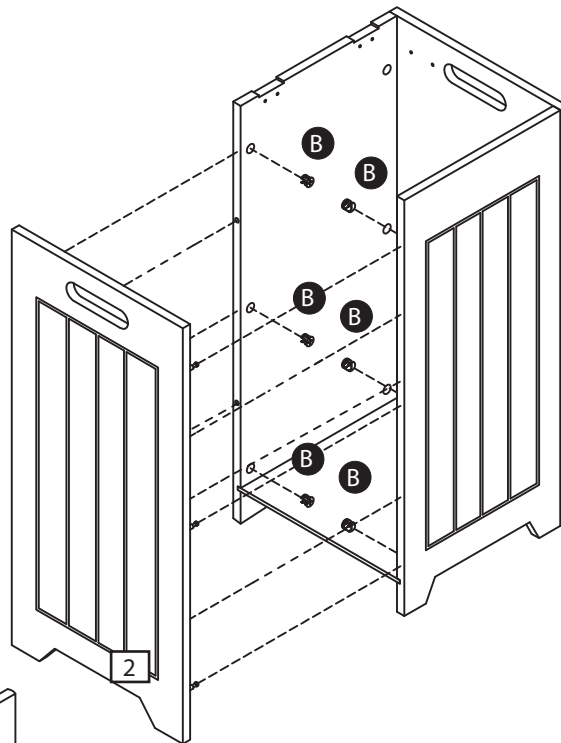


Assembly Instructions

Step 4

1. Connect Left Side panel **2** to Back panel **3** and Front panel **4** as shown, locating dowels and Male camlocks into adjacent holes.

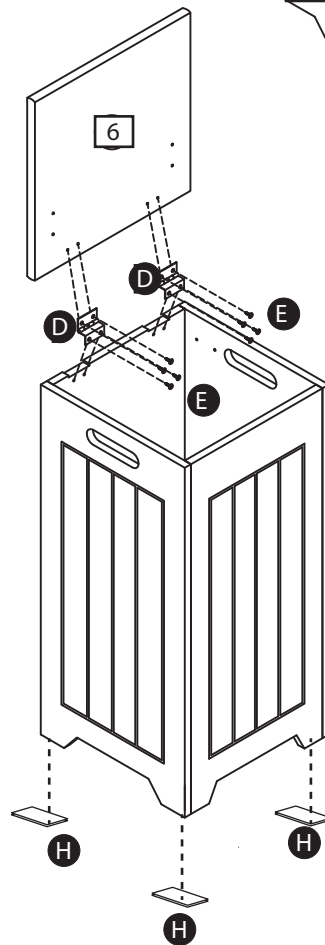
2. Insert 6 x Female camlocks **B** and tighten with a Phillips screwdriver



Step 5

1. Connect Lid **6** to the unit using 2 x Hinges **D** and 8 x Screw **E**

2. Add 4 x Protective feet **H** to the legs of the unit



Step 6

1. Add 2 x Safety hinges to the unit using 8 x Screw **E** Hinge **G** attaches to Left side panel **2** and hinge **F** attaches to Right side panel **1**.

