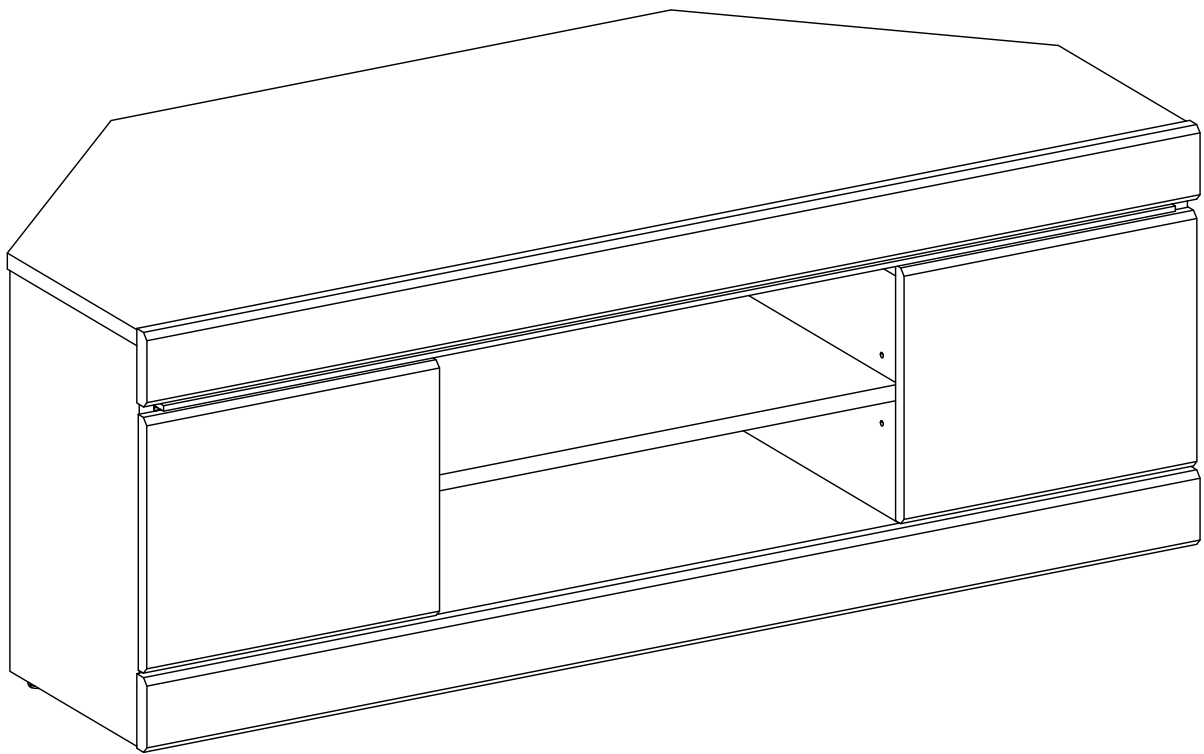


## HALO CORNER TV UNIT

Assembly Instructions - Please keep for future reference

Cat No

XK025



Dimensions	No. people	Assembly Time
Width: 107.2cm Depth: 49.8cm Height: 39.9cm		1.5 Hour (approx.)

**Important -** Please read these instructions fully before starting assembly

If you need help or have damaged or missing parts, call the **JDW Customer Helpline: 0871 231 2000**

## Safety and Care Advice

**Important - Please read these instructions fully before starting assembly**

- Check you have all the components and tools listed on pages 4 and 5.
- Remove all fittings from the plastic bags and separate them into their groups.
- Keep children and animals away from the work area, small parts could choke if swallowed.
- Make sure you have enough space to lay out the parts before starting.
- Do not stand or put weight on the product, this could cause damage.
- Assemble the item as close to its final position (in the same room) as possible.
- Assemble on a soft, level surface to avoid damaging the unit or your floor.
- We do not recommend the use of power drill/drivers for inserting screws, as this could damage the unit. Only use hand screwdrivers.
- Dispose of all packaging carefully and responsibly.



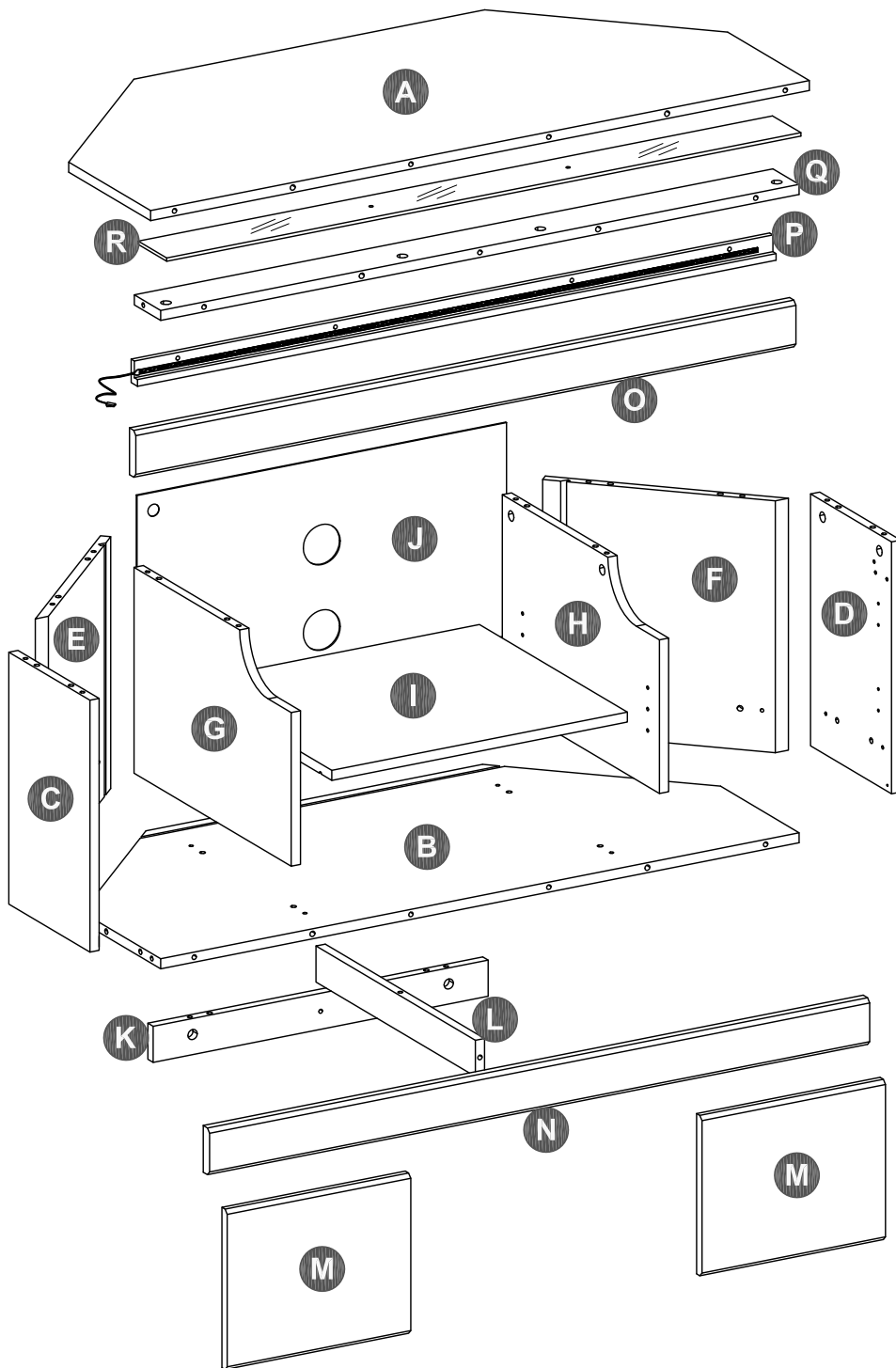
### Care and Maintenance

- Only clean using a damp cloth and mild detergent, do not use bleach or abrasive clean
- From time to time check that there are no loose screws on this unit.
- This product should not be discarded with household waste. Take to your local authority waste disposal centre.

**If you have damaged or missing components, call the  
JD Williams Customer Helpline on 0871 231 2000**

**If you are unhappy with the product and wish to return it,  
please follow the retailer's returns procedure.**

# Exploded View



# Components - Panels

Please check that you have all the components listed below before constructing your items.




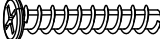

Part No	Description	Qty
A	Top Panel	1
B	Bottom Panel	1
C	Side Panel - L	1
D	Side Panel - R	1
E	Rear Panel - L	1
F	Rear Panel - R	1
G	Divider Panel - L	1
H	Divider Panel - R	1
I	Adjustable Shelf	1
J	Back Panel	1
K	Rear Bottom Support	1
L	Middle Bottom Support	1
M	Door	2
N	Front Bottom Support	1
O	Front Panel	1
P	LED Panel Support	1
Q	Panel Support	1
R	Glass LED Support	1

# Components - Fixings

Please check that you have all the components listed below before constructing your items.

**Note:** The quantities below are the correct amount to complete the assembly. In some cases more fittings may be supplied than are required.

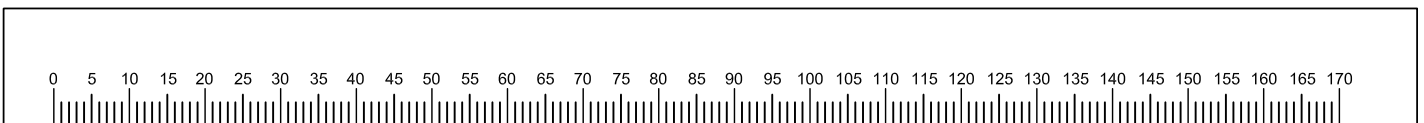
\*Hardware packed separately according to the code.

(A)	Minifix Cam	(B)	Minifix Bolt	(C)	Minifix Cover	(D)	Dowel M8 x 32mm
							
	37 units		37 units		33 units		32 units
(E)	Screw M4 x 12mm	(F)	Screw M10 x 33.5mm	(G)	Screw M4 x 19mm	(H)	Backply Stopper
							
	4 units		9 units		8 units		8 units
(I)	Cable Holder	(J)	Shelf Support	(K)	Screw M4 x 10mm	(L)	Ring Plastic
							
	2 units		4 units		8 units		2 units
(M)	Corner Bracket	(N)	Glass Shelf Clip	(O)	Hinges	(P)	Adaptor
							
	2 units		4 units		4 units		1 units
(Q)	Screw M4 x 15mm	(R)	Buffer				
							
	2 units		4 units				

## Tools Required










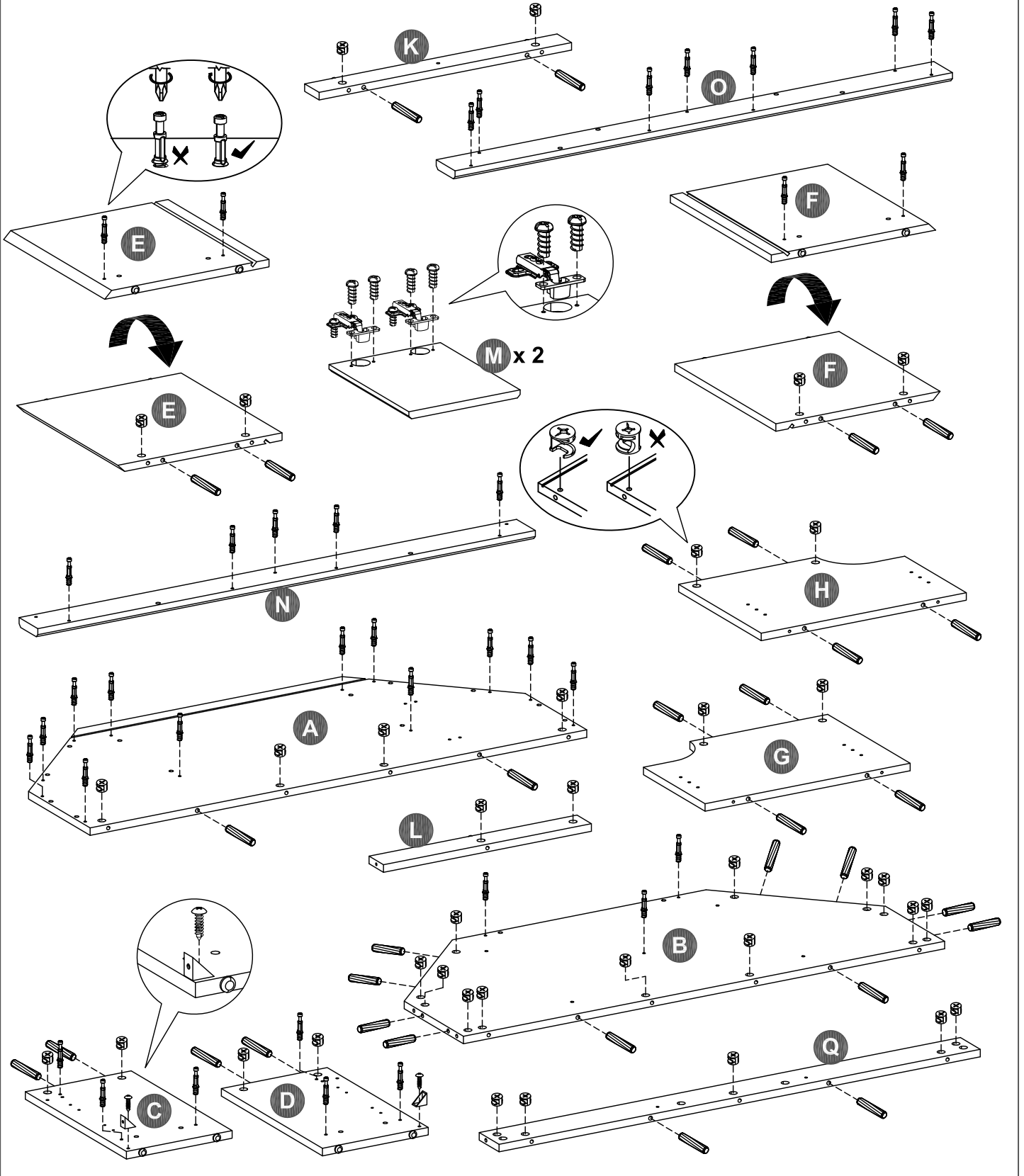
Ruler - Use this to measure your screws (mm)



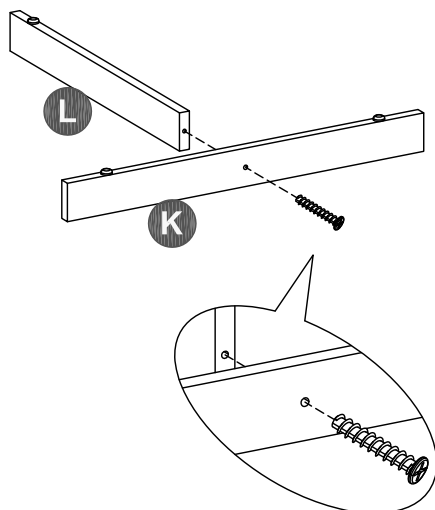
# Assembly Instructions

Step 1

						
<b>A x 37</b>	<b>B x 37</b>	<b>D x 32</b>	<b>E x 2</b>	<b>M x 2</b>	<b>O x 4</b>	<b>K x 8</b>

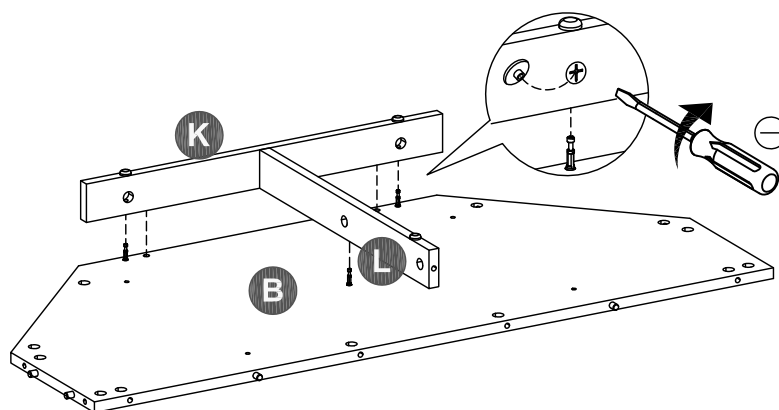


## Step 2



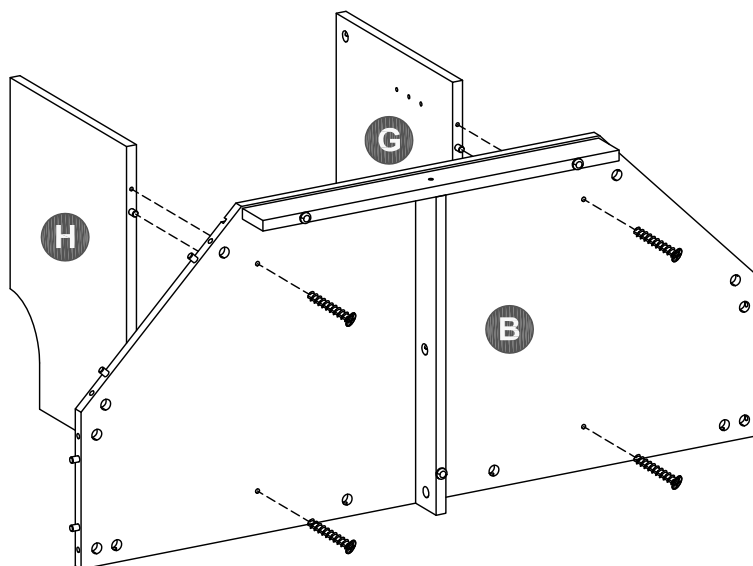
**F x 1**

## Step 3



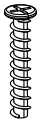
**C x 3**

## Step 4

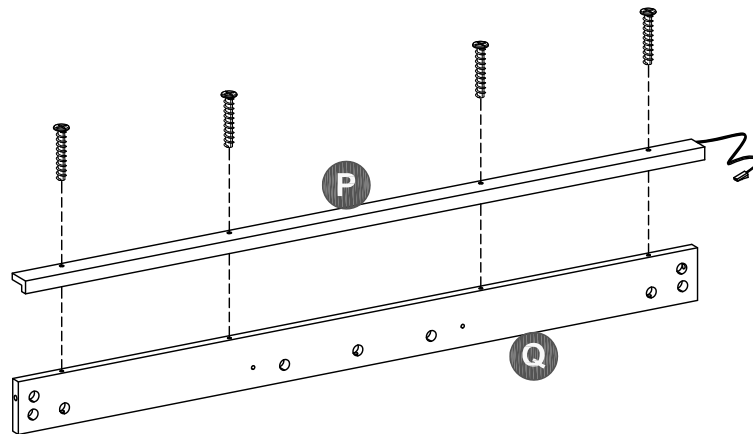


**F x 4**

### Step 5



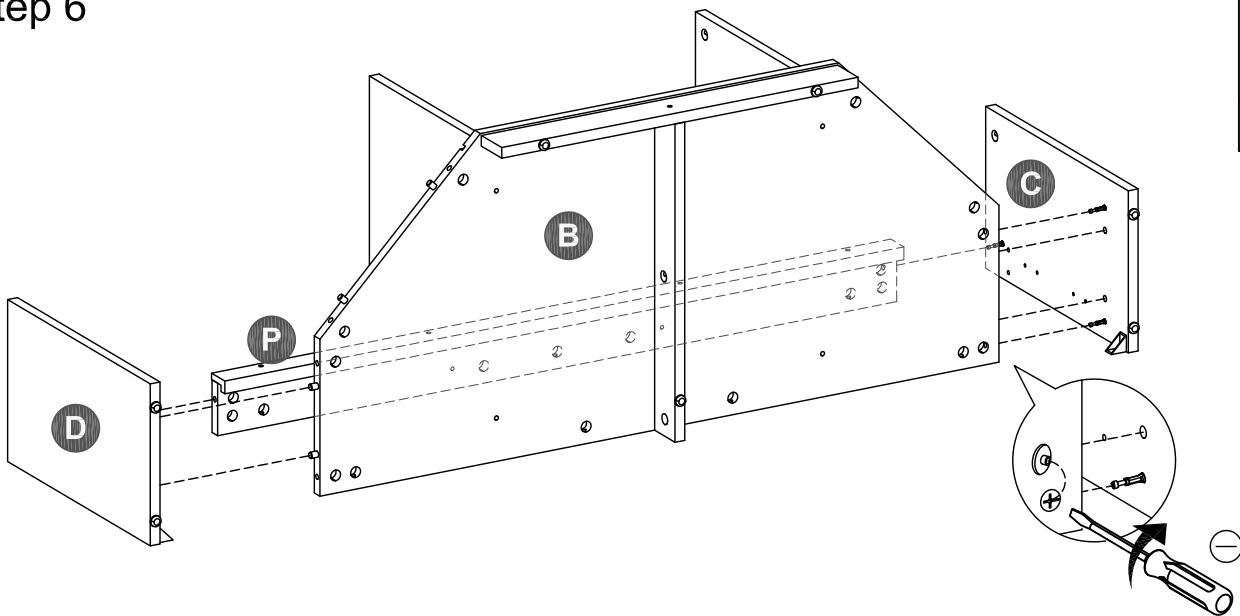
F x 4



### Step 6



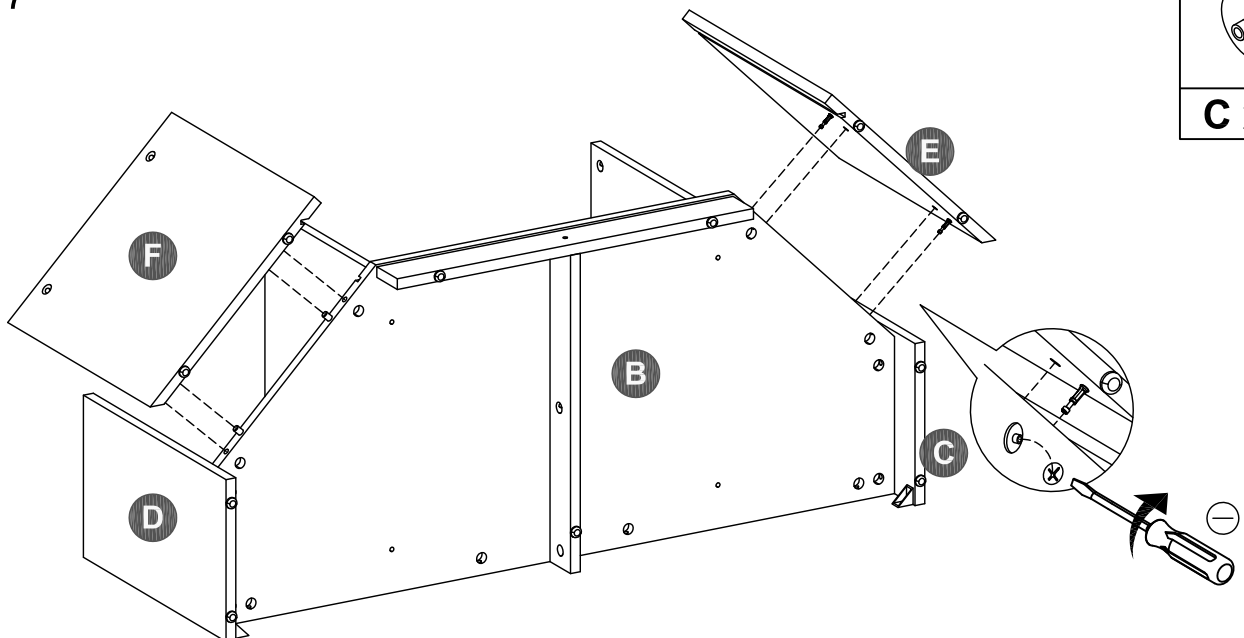
C x 6



### Step 7

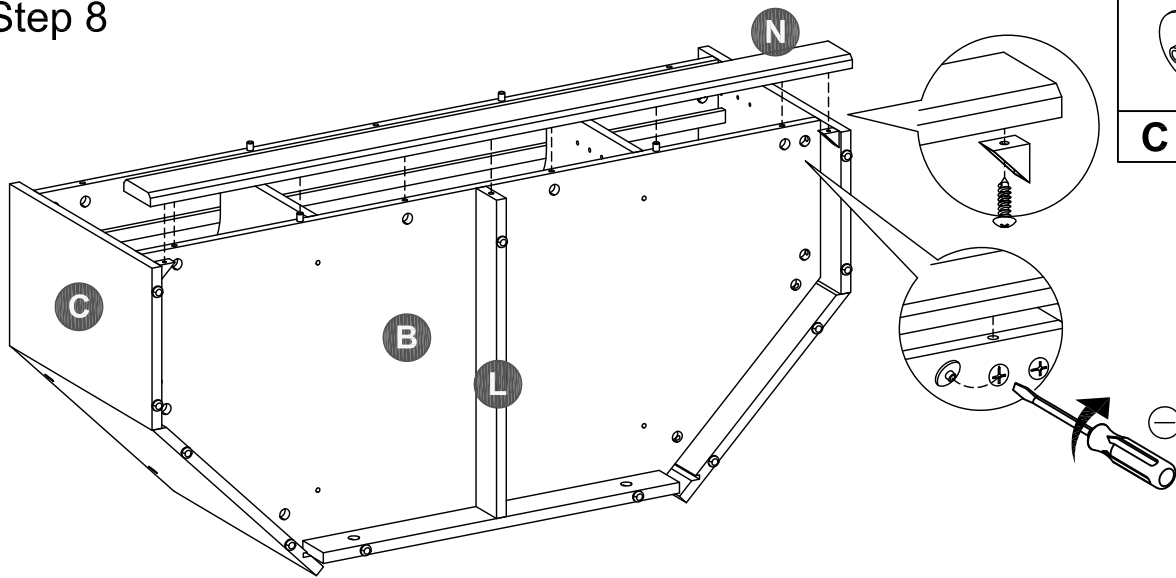


C x 4

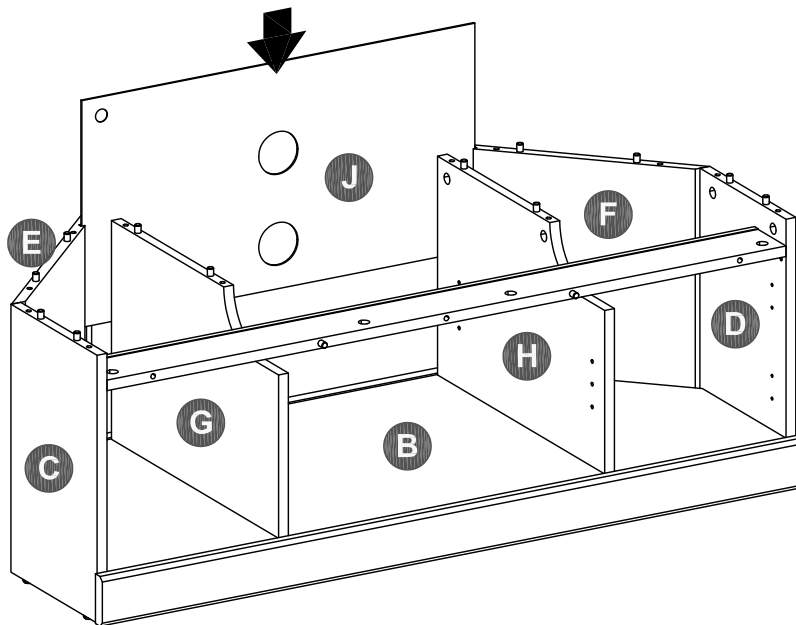




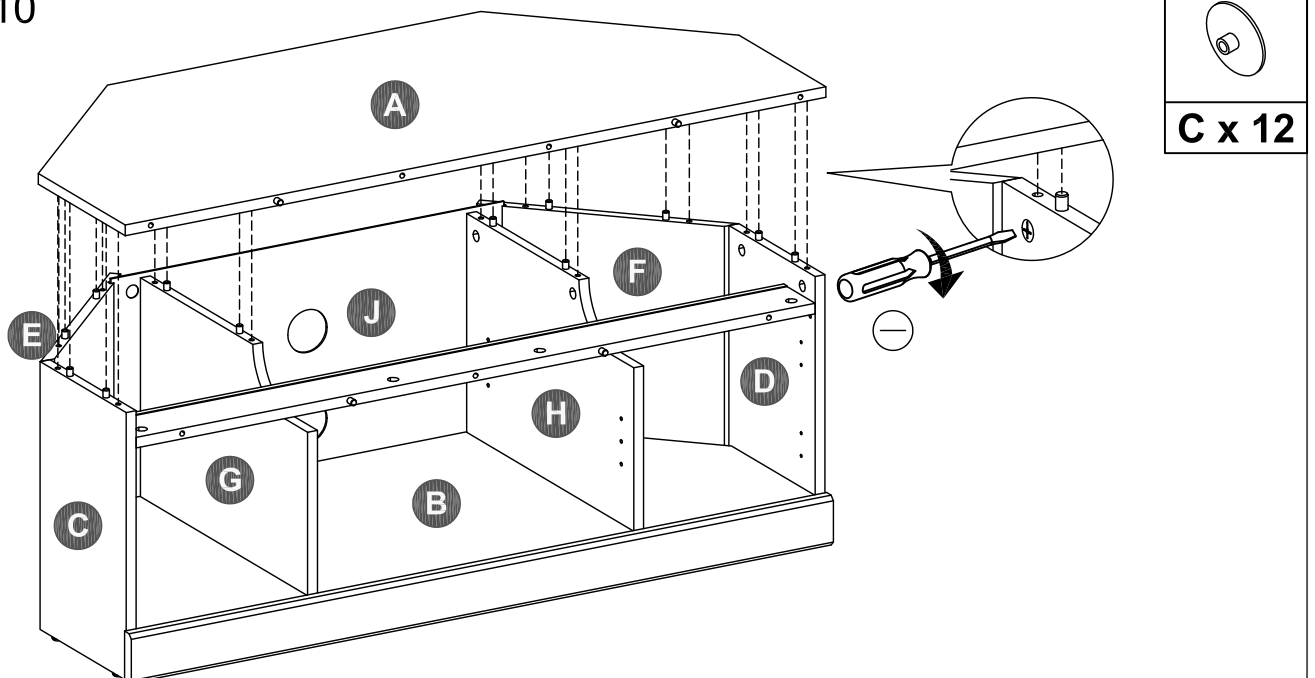
### Step 8



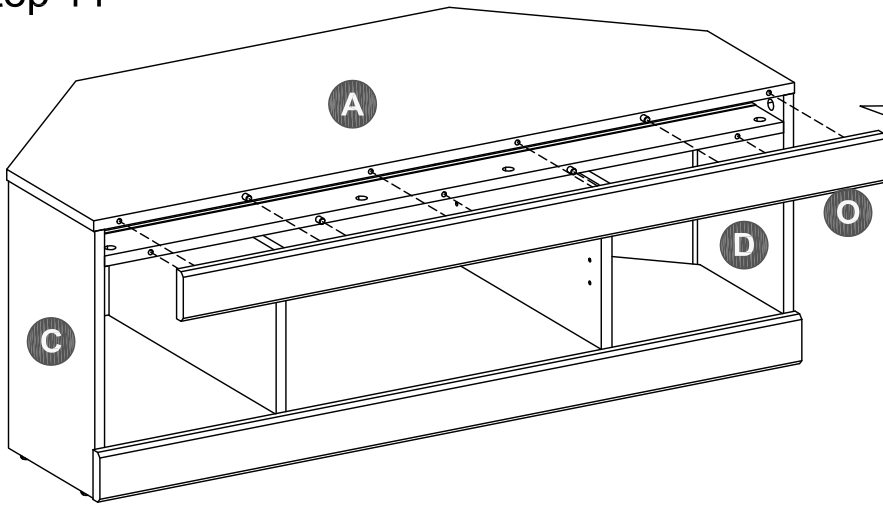
### Step 9



### Step 10

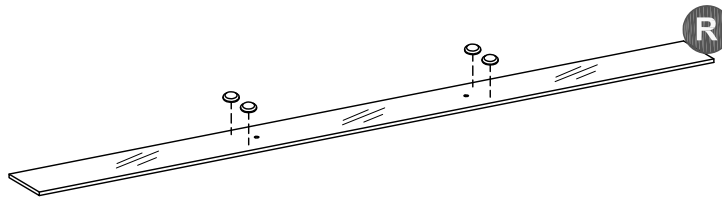


### Step 11



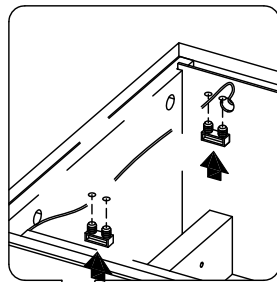
**C x 3**

### Step 12



**R x 4**

### Step 13



**I x 2**



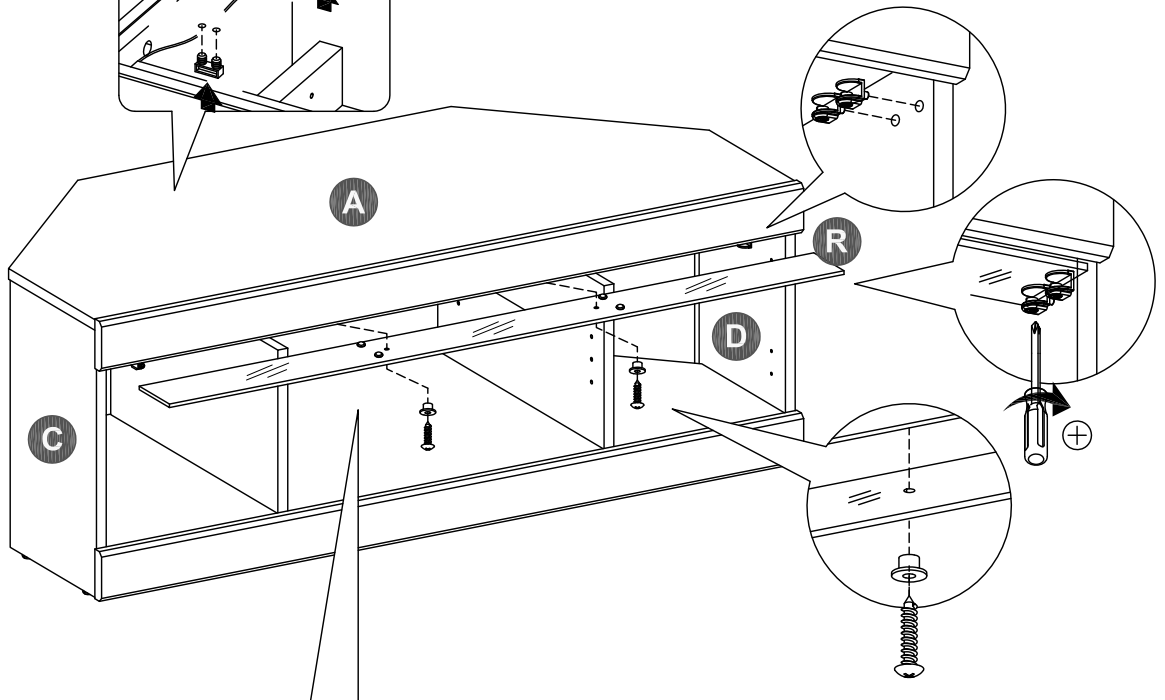
**L x 2**



**N x 4**



**Q x 2**



**BACK**

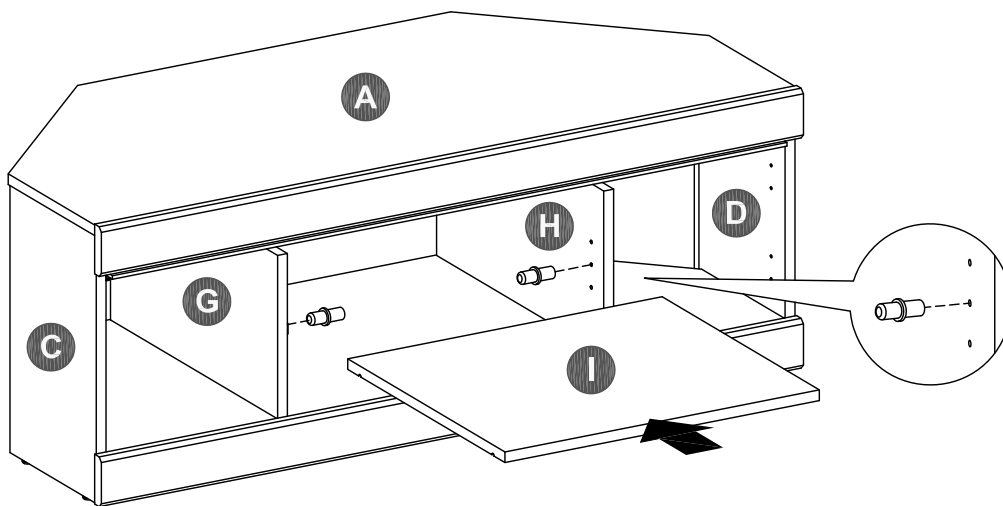


**FRONT**

# Step 14



**J x 4**



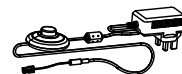
# Step 15



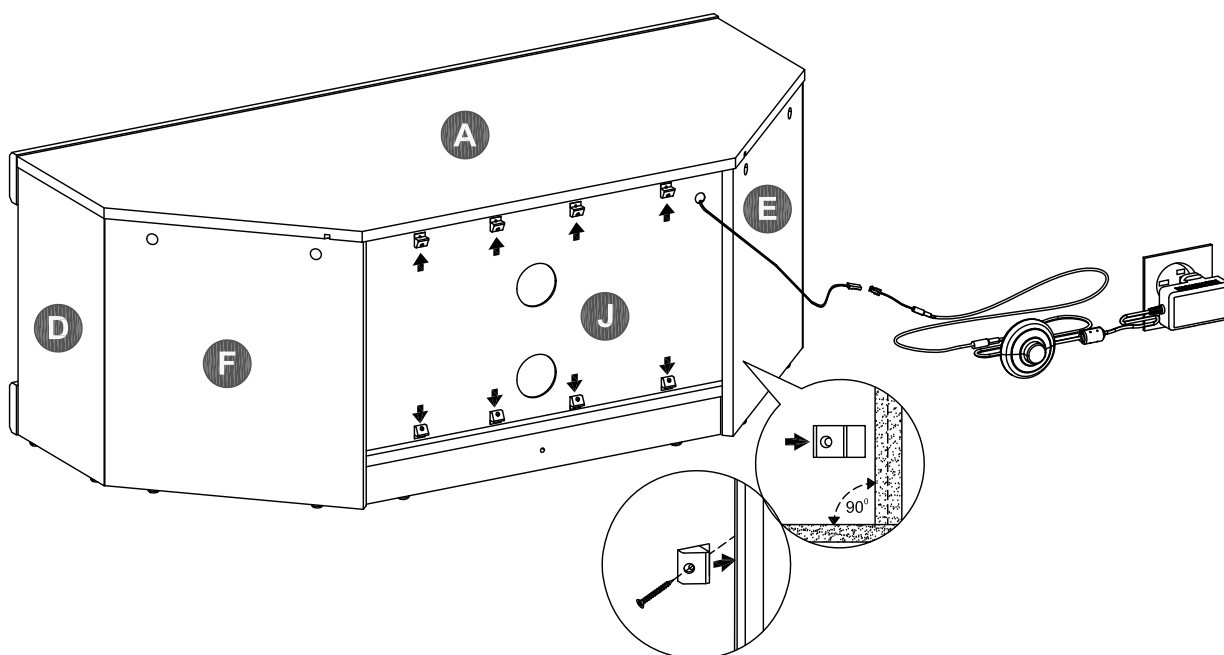
**G x 8**



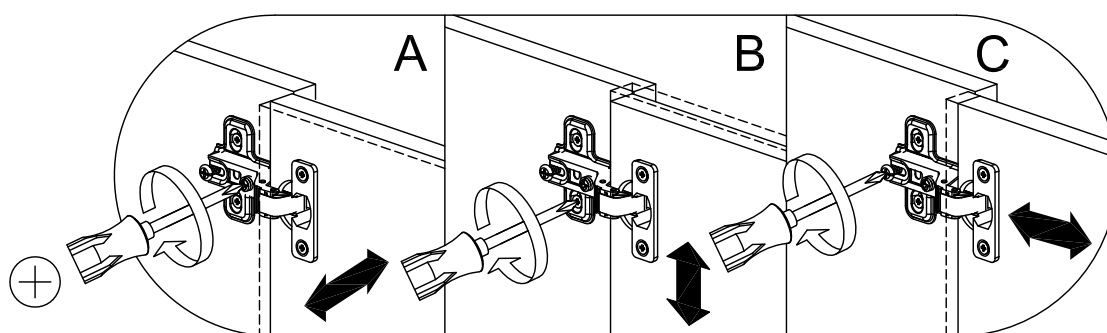
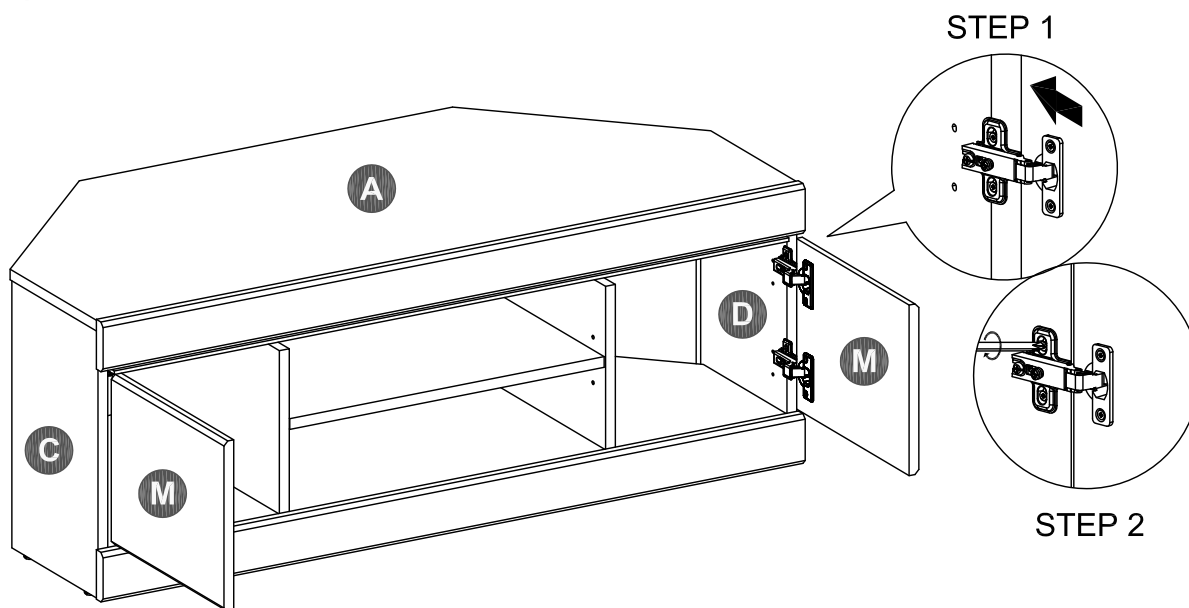
**H x 8**



**P x 1**



## Step 16



**A. Lateral Adjustment**  
by screw adjusting

**B. Vertical adjustment**  
via slot in the  
mounting plate

**C. Front-to-Back**  
by the slackening  
the hinge-arm  
mounting screw

## Step 17

