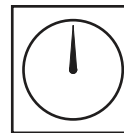


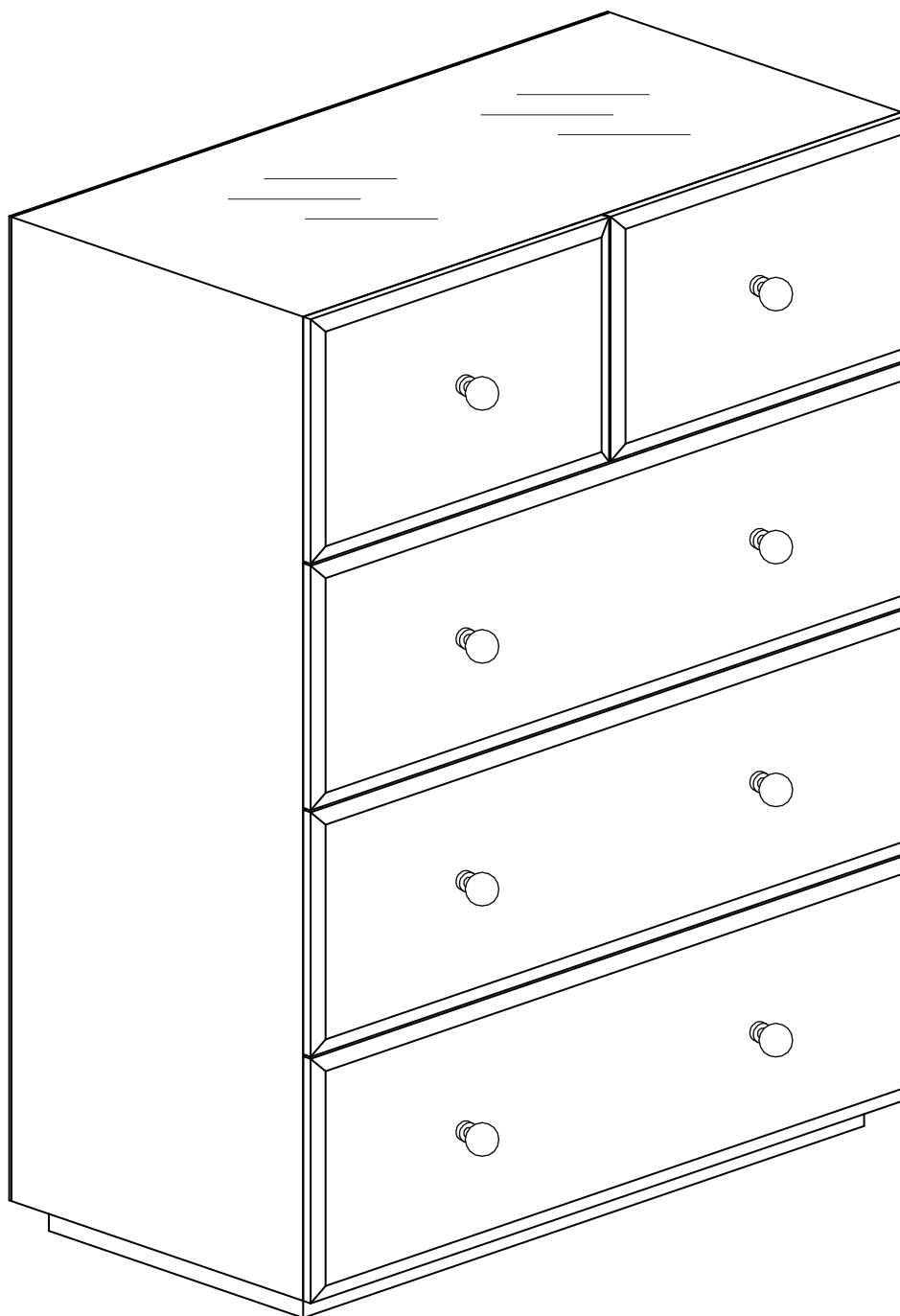
# MIRAGE 3+2 DRAWER CHEST Assembly Instructions



People needed for assembly



Estimated 30 mins

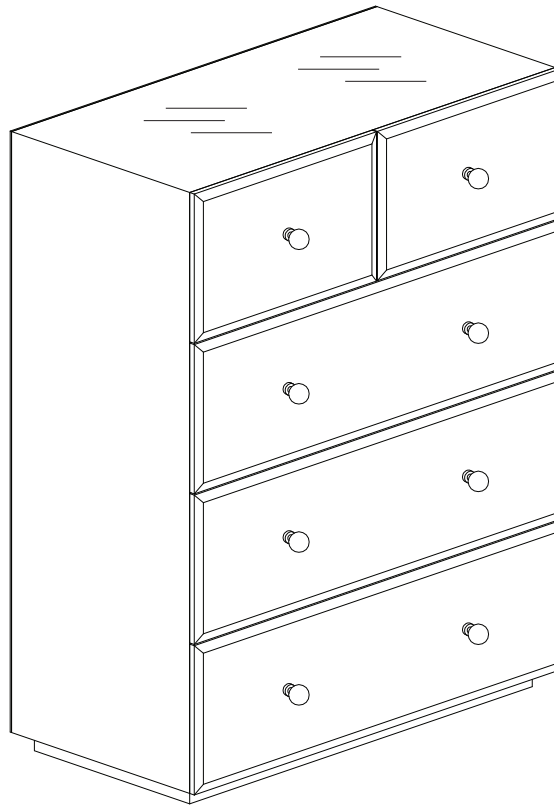


# MIRAGE 3+2 DRAWER CHEST Assembly Instructions

## COMPONENT CHECKLIST

**1**

Cabinet



1 pc

## FITTINGS

**Ruler** - Use this ruler to help correctly identify the screws.



**A**



Screw

2 pcs

**B**



Wall Plug

2 pcs

## ADDITIONAL TOOLS (not supplied)

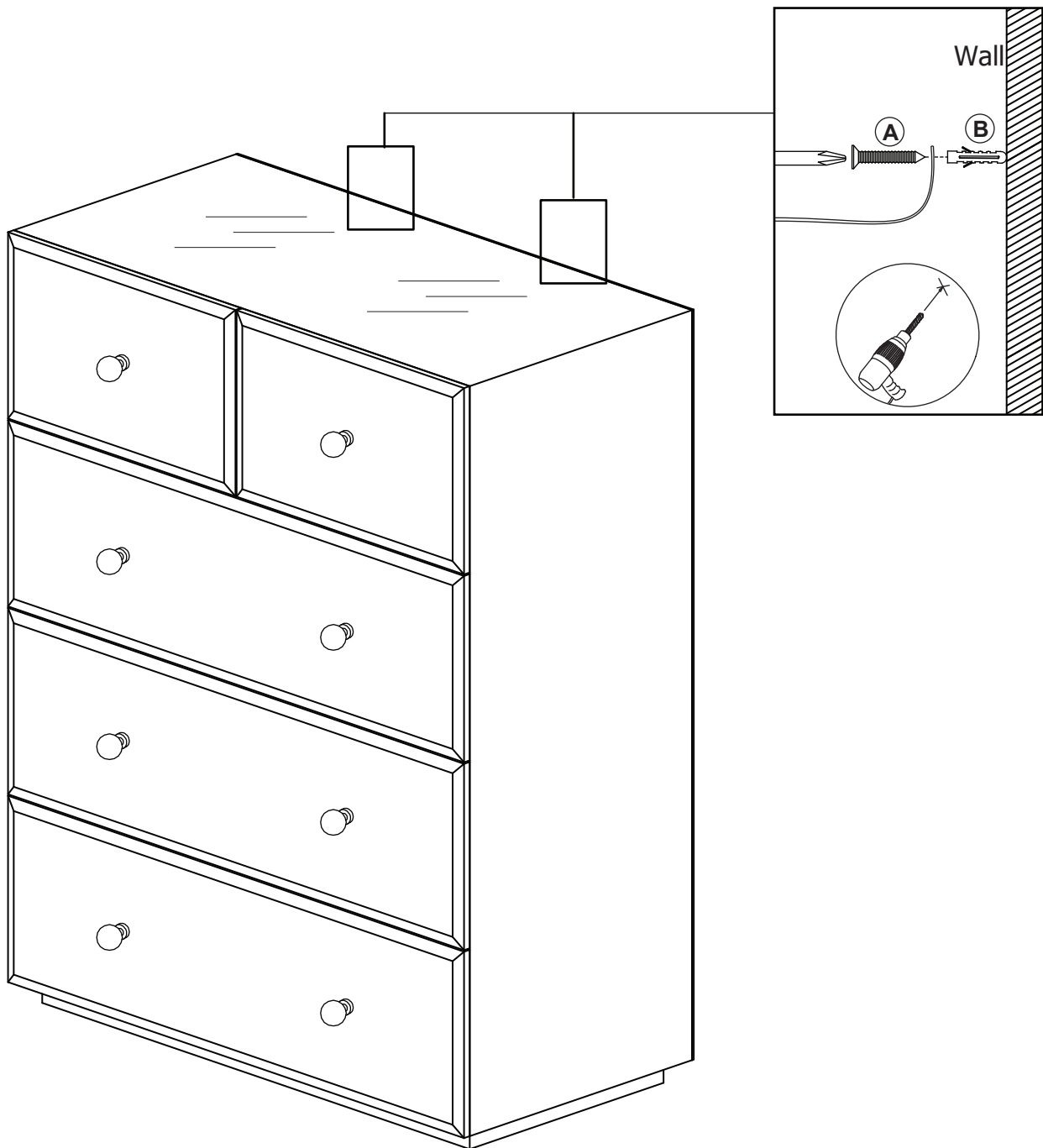




Phillips head screwdriver

**IMPORTANT:** Read these instructions carefully before attempting to assemble.  
Retain these instructions for future reference.

# MIRAGE 3+2 DRAWER CHEST Assembly Instructions

Note: This is an option step. For safety, the tilting prevent hardware should be used as a part of assembly.



- |            |   |           |       |
|------------|---|-----------|-------|
| <b>(A)</b> |  | Screw     | 2 pcs |
| <b>(B)</b> |  | Wall Plug | 2 pcs |

# MIRAGE 3+2 DRAWER CHEST Assembly Instructions

## Health and safety

- Assemble on a soft level surface to avoid damaging the unit or your floor.
- This product should not be used if any parts are missing or broken.
- All fixings should be checked and tightened before use and periodically tightened.
- Do not strike with a sharp implement.
- Do not allow product to become wet.
- Always use on a level and even surface.
- To ensure an easier assembly, we strongly advise that all fittings are only finger tightened during initial assembly. Only upon completion of the assembly should all fixing points be fully tightened.

## How do I care for the mirage 3+2 drawer chest

- Wipe clean with a moist cloth
- Do not use abrasive cleaners.