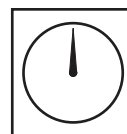


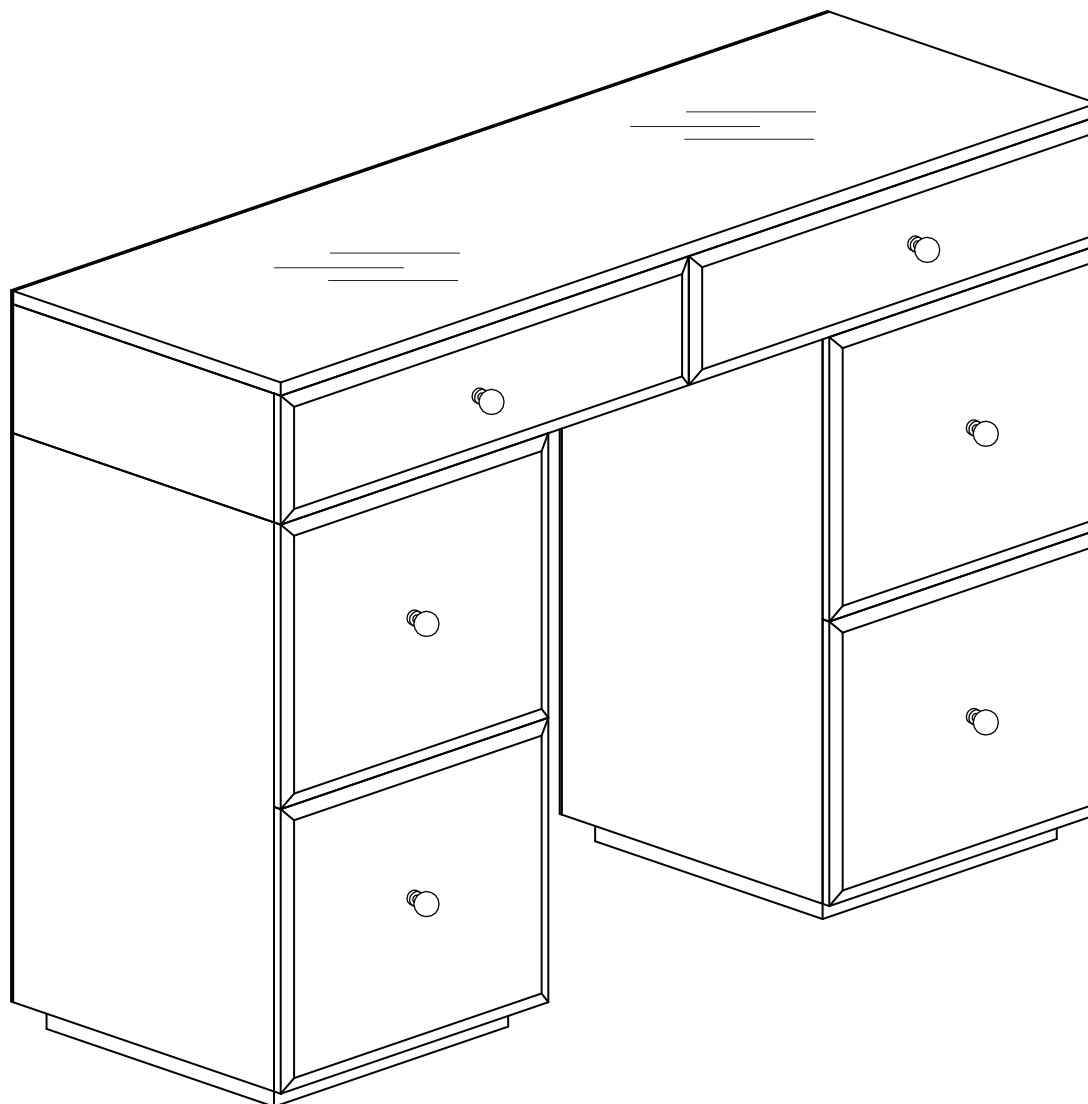
# MIRAGE DRESSING TABLE Assembly Instructions



People needed for assembly



Estimated 30 mins

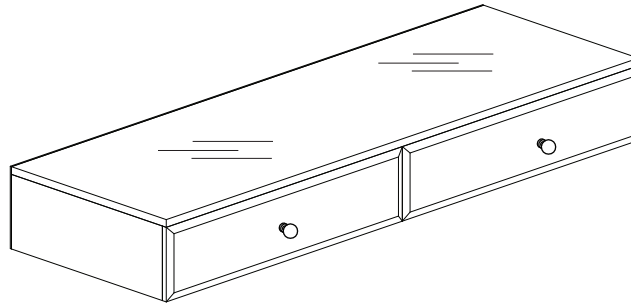


# MIRAGE DRESSING TABLE Assembly Instructions

## COMPONENT CHECKLIST

**1**

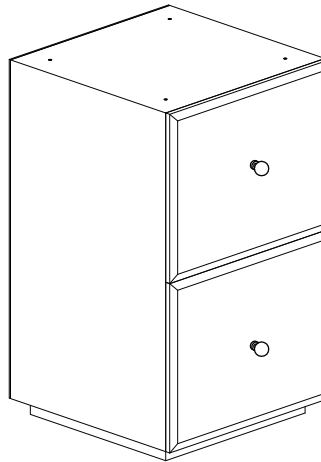
Cabinet



1 pc

**2**

Side Table



2 pcs

## FITTINGS

**Ruler** - Use this ruler to help correctly identify the screws.



<b>A</b>		Bolts (M6x25)	8 pcs	<b>B</b>		Spring Washers	8 pcs
<b>C</b>		Flat Washers	8 pcs	<b>D</b>		Screw	2 pcs
<b>E</b>		Allen Key	1 pc	<b>F</b>		Wall Plug	2 pcs

## ADDITIONAL TOOLS (not supplied)

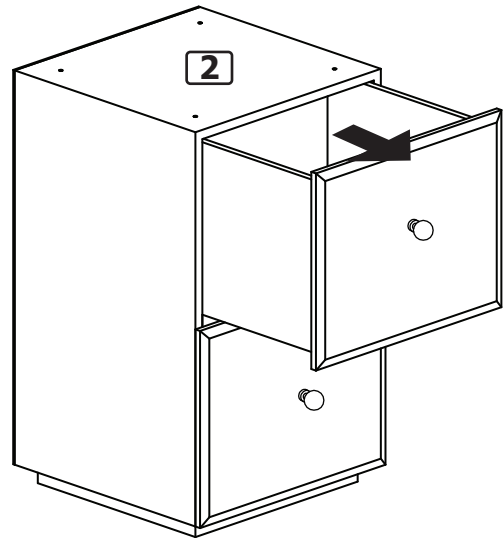
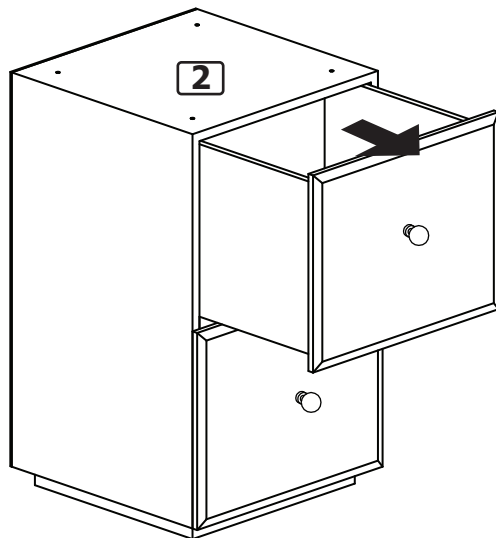


Philips head screwdriver

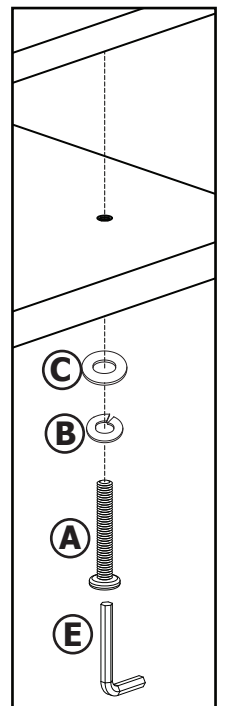
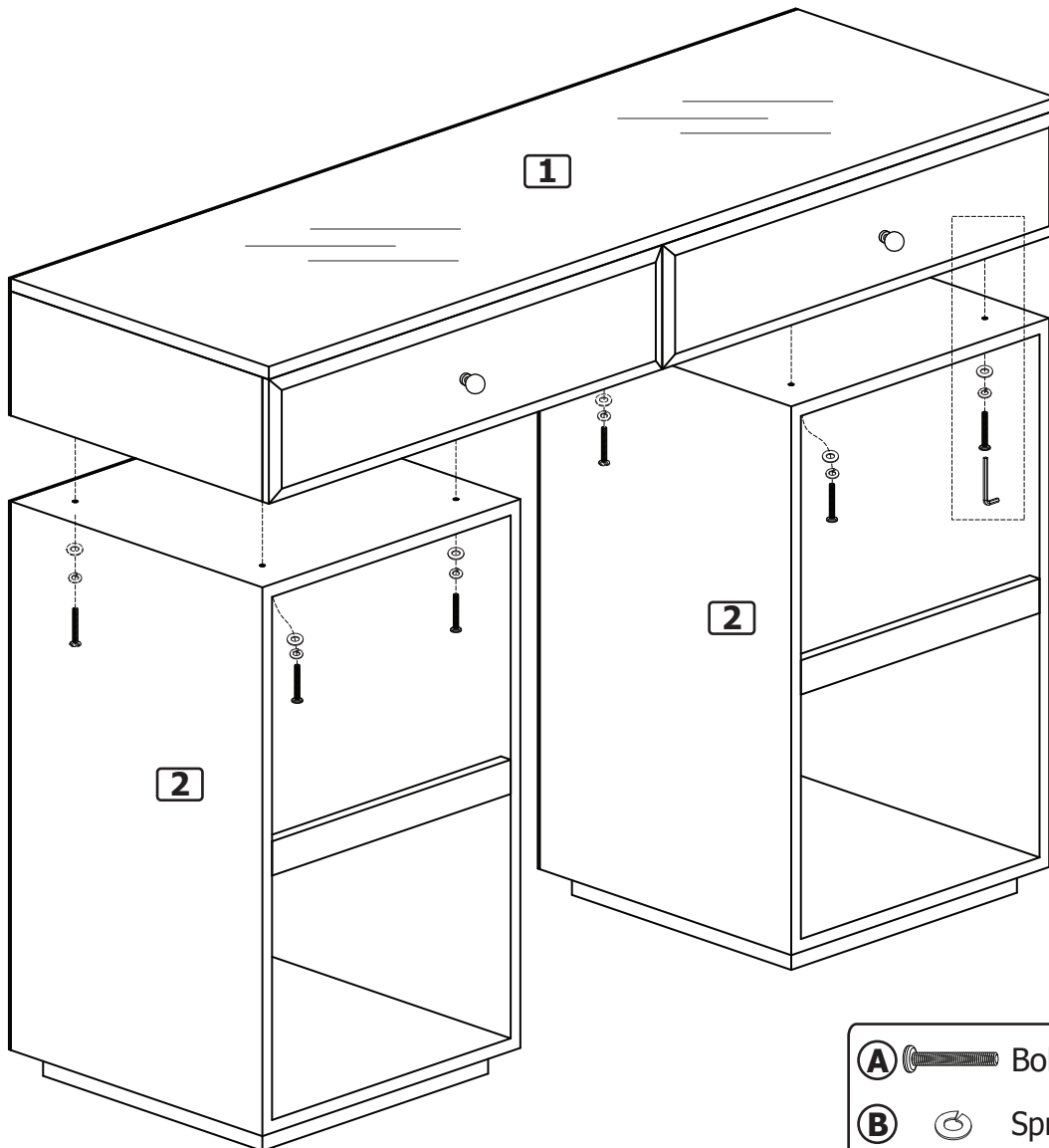
**IMPORTANT:** Read these instructions carefully before attempting to assemble.  
Retain these instructions for future reference.





# MIRAGE DRESSING TABLE Assembly Instructions

1



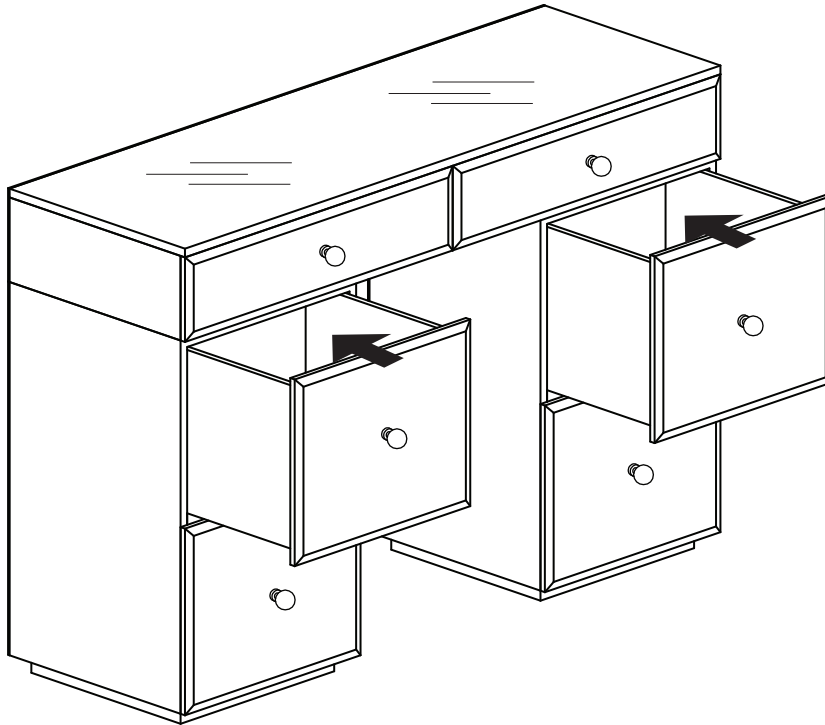
2



- |            |   |                      |
|------------|---|----------------------|
| <b>(A)</b> |  | Bolts (M6x25) 8 pcs  |
| <b>(B)</b> |  | Spring Washers 8 pcs |
| <b>(C)</b> |  | Flat Washer 8 pcs    |
| <b>(E)</b> |  | Allen Key 1 pc       |

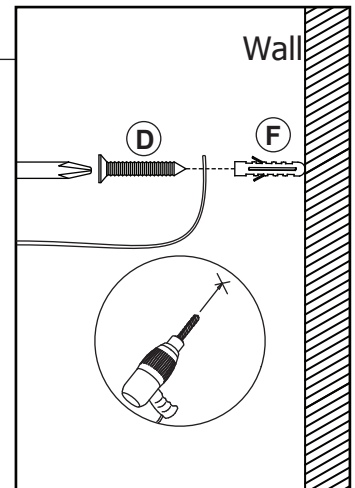
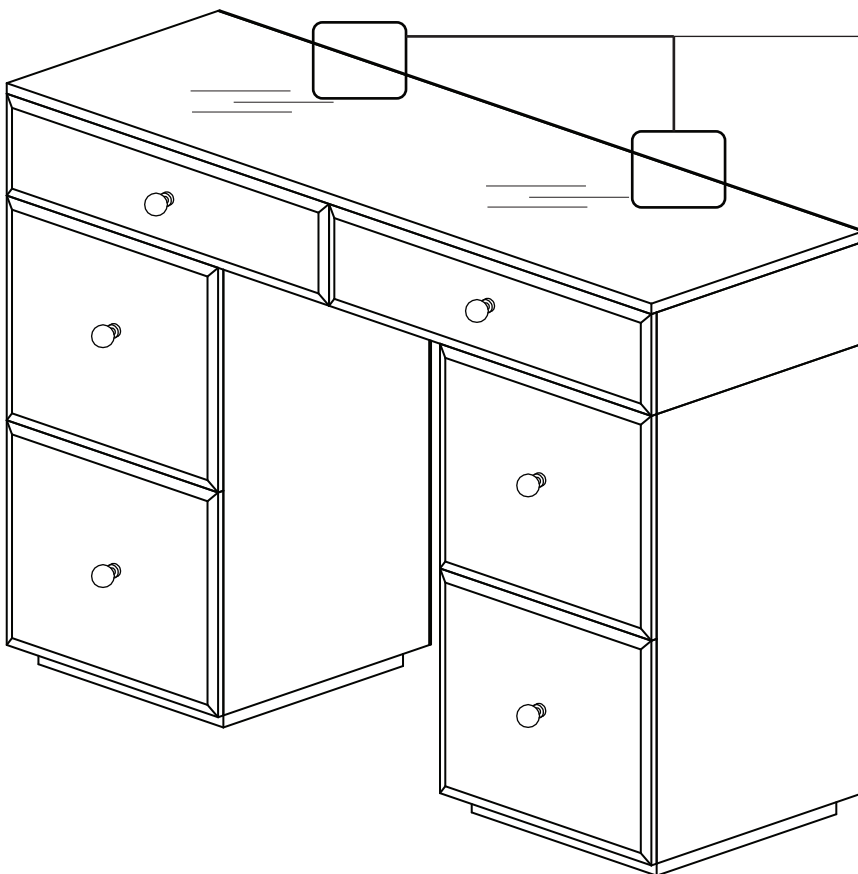
# MIRAGE DRESSING TABLE Assembly Instructions



3



4

Note: This is an option step. For safety, the tilting prevent hardware should be used as a part of assembly.



- |            |   |       |
|------------|---|-------|
| <b>(D)</b> |  Screw     | 2 pcs |
| <b>(F)</b> |  Wall Plug | 2 pcs |

# MIRAGE DRESSING TABLE Assembly Instructions

## Health and safety

- Assemble on a soft level surface to avoid damaging the unit or your floor.
- This product should not be used if any parts are missing or broken.
- All fixings should be checked and tightened before use and periodically tightened.
- Do not strike with a sharp implement.
- Do not allow product to become wet.
- Always use on a level and even surface.
- To ensure an easier assembly, we strongly advise that all fittings are only finger tightened during initial assembly. Only upon completion of the assembly should all fixing points be fully tightened.

## How do I care for the mirage dressing table

- Wipe clean with a moist cloth
- Do not use abrasive cleaners.