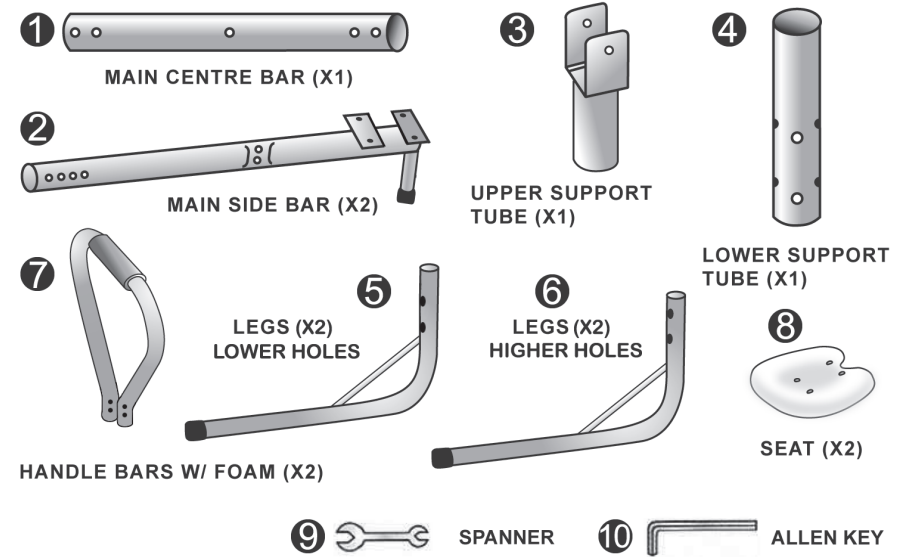


SEESAW - M08682
FOR CHILDREN AGED 3 TO 10 YEARS

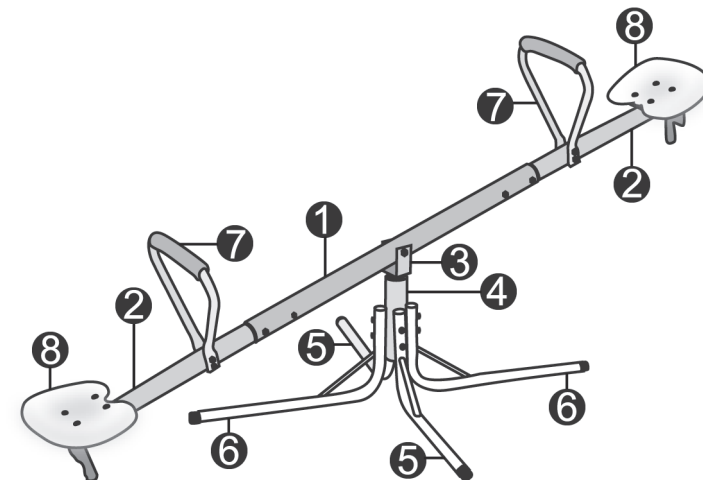
SAFETY GUIDELINES

Adult supervision required at all times.
 Only one child per seat at any one time.
 The item is not designed for adults or for children weighing more than 45kg.
 Not suitable for children under three years, contains small parts.
 This equipment must be assembled and checked by an adult.
 For family domestic use only. This product has not been designed for commercial use in play centers, nurseries etc.
 For outdoor use.
 Check all nuts, bolts and fittings for tightness and tighten if required.
 Check all coverings for bolts and sharp edges and replace when required.
 Check swing seats, chain, ropes and other means of attachments relevant to your product for evidence of deterioration. Replace when required in accordance with the manufacturers instructions if necessary.
 Place the product on level surface at least 2 metres from any structure or obstruction such as a fence, garage, house, wall, overhanging branches, laundry line or electrical wires.
 DO NOT install the product over concrete, asphalt or any hard surface.
 DO NOT orientate the product directly towards the sun.
 Leave all fittings finger tight until assembly is complete, for ease of construction. Then tighten firmly.
 Children should not wear cycle helmets whilst on this equipment.
 Do not allow children to stand on the seesaw seats.
 Do not allow the children to jump or climb off any moving equipment.
 Do not twist swing ropes or wrap them over the top bar.
 Do not allow loose, hooded or baggy clothes to be worn as children can get trapped and may be unable to free themselves.
 Do not allow children to climb on parts of this equipment intended for this purpose.
 Do not allow children to wander into the play area whilst the equipment is in use.
 Gliders and swings must not exceed an angle of 60 degrees from the ground.
 Regularly check the item for wear and damage, removing the item from use when necessary until replacement parts are fitted.
 Failure to assemble and maintain this item as per instruction may cause injury to the user.
 Please keep the instructions in a safe place for future reference.
 Made in China to European Standards.
 Conforms to EN71

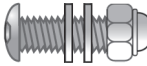
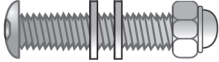


SEESAW PARTS LIST

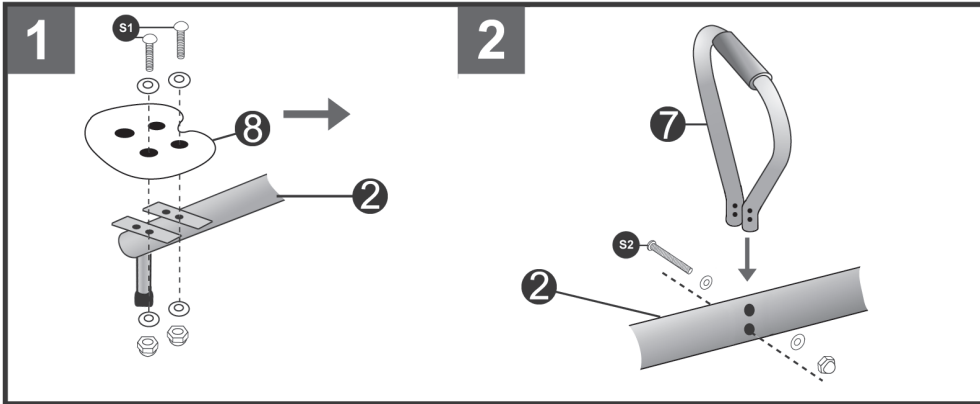


IMPORTANT: Make sure you read the safety notice on the front page and always supervise children while they are playing on the equipment. Once assembly is completed carefully check equipment. In the unlikely event that you do find any problems, please contact us. Do not allow children to use this product until the problem has been corrected.



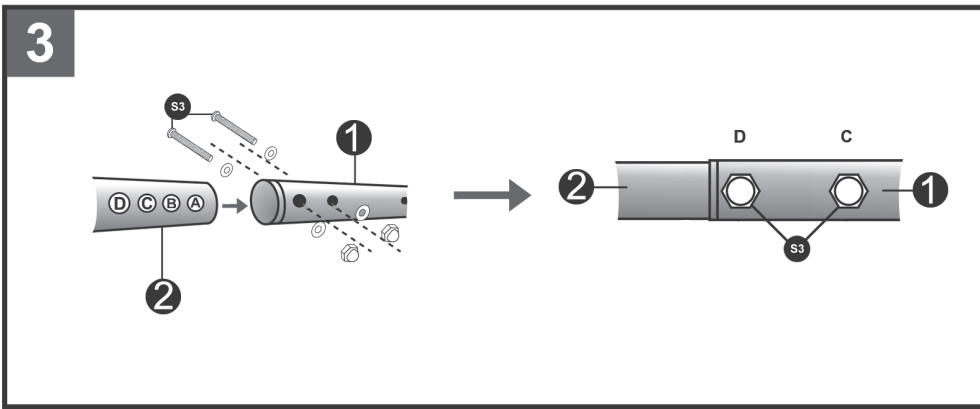
Assembly Instructions
STEPS 1 - 3

- S1**  **M6 BOLT 25mm (x8)**
- S2**  **M6 BOLT 67mm (x4)**
- 9**  **ALLEN KEY**
- 10**  **SPANNER**



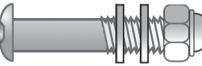

STEP 3

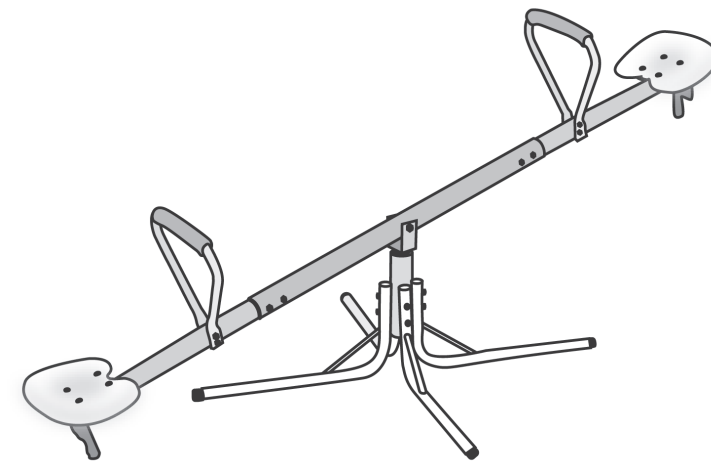
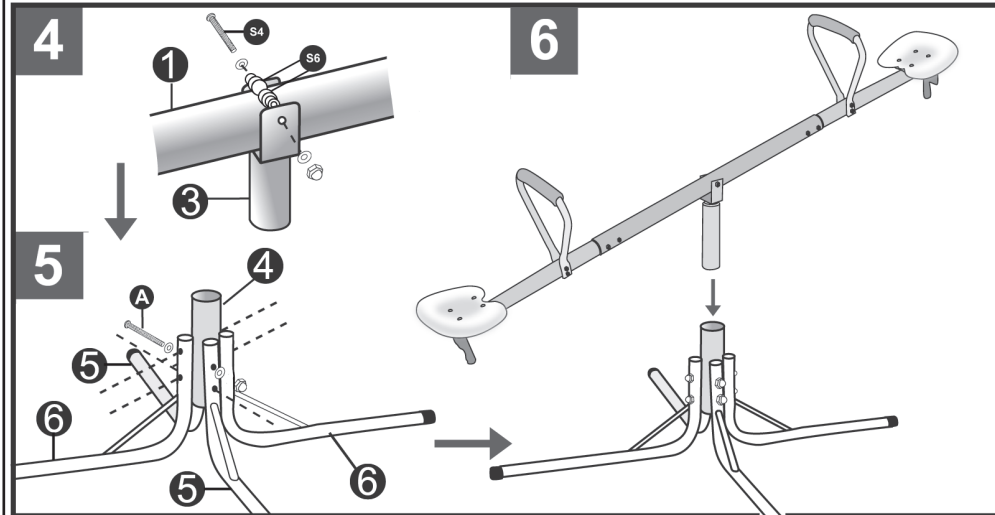
- S3**  **M6 BOLT 55mm (x4)**



WARNING! Tube 2 must be fitted to tube 1 so that both M6 Bolts are secured tightly in the two available places. The Seesaw can be fitted in any of the three combinations: AB or BC or CD.

STEPS 4 - 6

- S4**  **M6 BOLT 60mm (x1)**
- S5**  **M6 BOLT 96mm (x4)**
- S6**  **PLASTIC SPACER (x2)**



MV Sports & Leisure Ltd.
35 Tameside Drive
Castle Bromwich
Birmingham B35 7AG
United Kingdom
email: info@mvsports.com
www.mvsports.com

CUSTOMER SERVICES
MV has taken great care to ensure that this toy has reached you in good condition. Should you have a query, please contact: customer.services@mvsports.com where your query will be dealt with promptly. Alternatively, you can call on 0870 8404255.

CE This mark denotes compliance with the standards laid down by the E.C. (European Community). It is in your best interest to keep a note of our name and address for future reference. If you have any complaints or find this product to be faulty, in order to avoid any delay, please contact the distributor at the address shown below.